

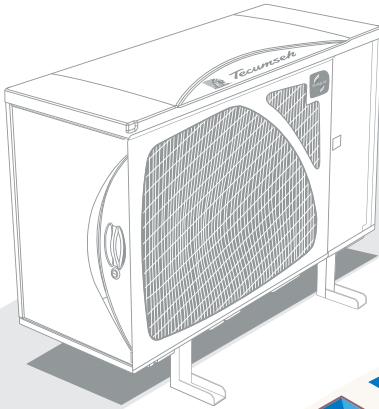


*Tecumseh*

# SILENSYS<sup>®</sup> ADVANCED: a sustainable and future proof condensing unit

R-1234yf

R-455A/  
R-454C



*Cooling For a Better Tomorrow™*

# 5 GOOD REASONS TO CHOOSE SILENSYS® ADVANCED

## ✔ Compliant

Assurance of future proof condensing unit

## 🌿 Durable

Sustainable & energy-efficient solution

## ✔ No risk

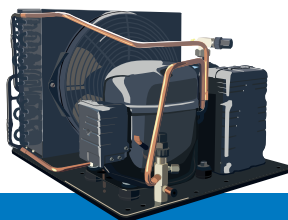
Safe by design

## 👍 Reliable

Solution ensuring operation in high ambient, 46°C, conditions

## 🔩 Simple

Ease of installation and commissioning



- ▶ GwP=4
- ▶ Easy to use: Pure Molecule (Azeotropic) - Easy Refrigerant charge. No glide - Less risk of Evaporator Icing
- ▶ Wide operating range



- ▶ GwP<150
- ▶ Fluids suitable for application at positive or negative temperatures
- ▶ Wide operating range

**YOUR INSTALLER :**