

# Product Catalogue

*Package Condensing Unit  
for Commercial Refrigeration*

*Cooling For a Better Tomorrow™*



*Tecumseh*

# PACKAGED CONDENSING UNIT

## SELLING TIPS

### RELIABILITY AND ROBUSTNESS

- ① Proven technology in refrigeration
- ② Tough design and testing standard to assure long life in the field.
- ③ Equipped with high quality components
- ④ Corrosion resistance housing is another quality advantage.



### INSTALLATION AND MAINTENANCE

- ① Fully factory fitted and wired
- ② Time savings for installer
- ③ Easy removable front panel for accessibility

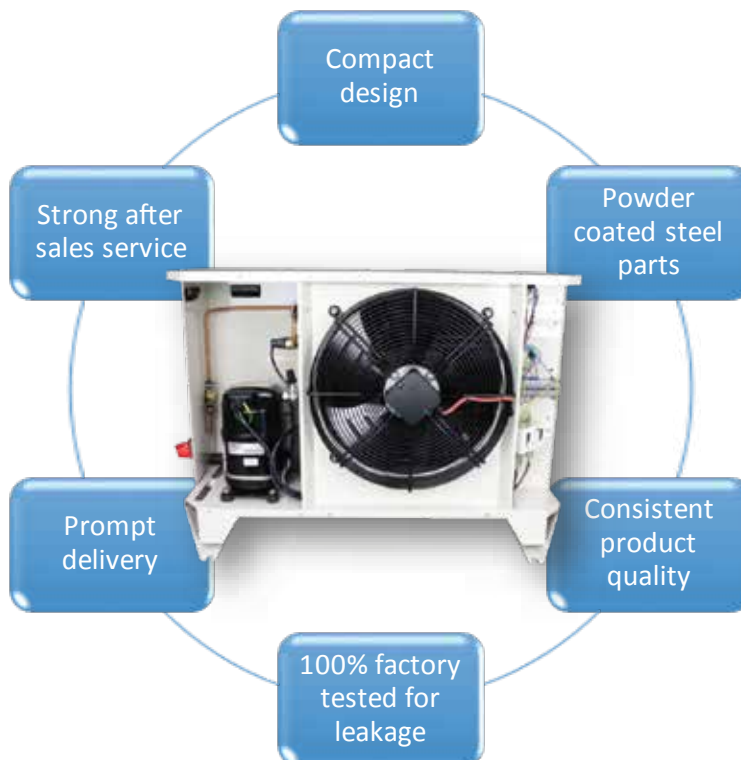


### EVOLUTIONARY PRODUCT

- ① Multiple compressor technology (Piston, Rotary and Scroll) capability
- ② Esthetic evolution
- ③ Low noise level

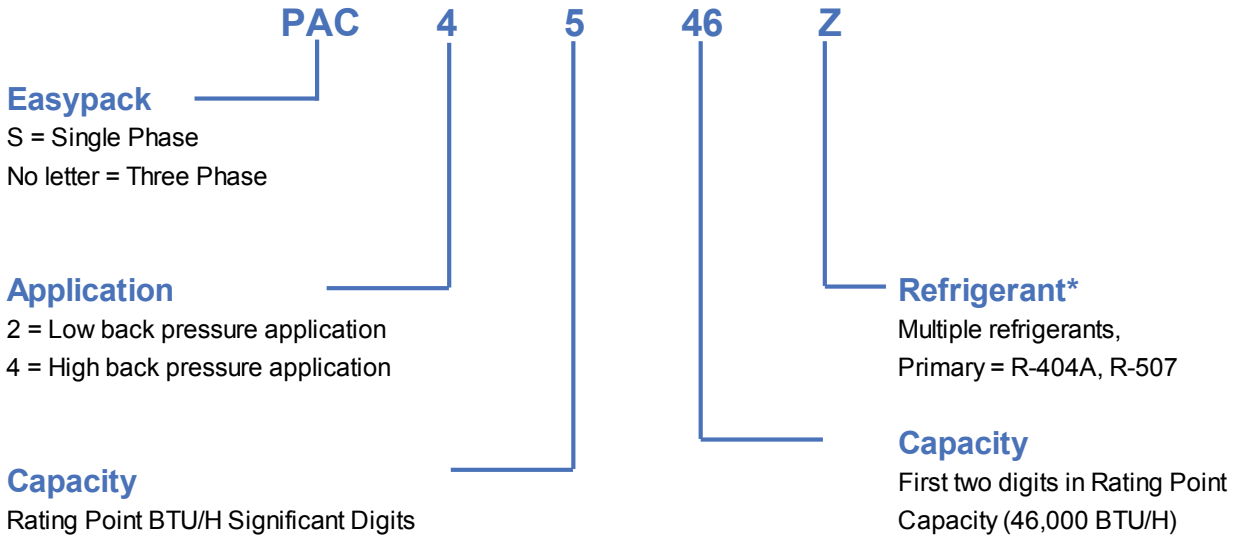


## PRODUCT FEATURES



# PACKAGED CONDENSING UNIT

## CONDENSING UNIT NOMENCLATURE



\*Also designed for comon refrigerants R-22 and R-134a

Content	Standard	Optional
Compressor with Rotalock Valve	✓	
Air-Cooled Condenser	✓	
Axial Fan Motor	✓	
Powder Coated Metal Parts	✓	
Liquid Receiver	✓	
High-Low Pressure Control	✓	
Terminal Box	✓	
Filter Drier	✓	
Sight Glass	✓	
Hand Valve	✓	
Packaging	✓	
Electrical Box		✓
Solenoid Valve		✓
Oil Separator		✓
Suction Accumulator		✓

# PERFORMANCE DATA

Packaged Model	Compressor Model	Ambient Temp. °C	Cooling Capacity in (W) at Evaporating Temp. (°C)							Power Input (W) @ evap. temp. +5 °C
			-20	-15	-10	-5	0	5	10	
PACS4517Z PAC4517Z	CAJ4517Z TAJ4517Z	27	1633	2035	2475	2947	3443	3955	4471	1684
		32	1472	1856	2271	2709	3165	3628	4091	
		38	1275	1638	2021	2419	2825	3231	3629	
		43		1455	1811	2174	2538	2897	3242	
PACS4519Z PAC4519Z	CAJ4519Z TAJ4519Z	27	2246	2769	3342	3957	4607	5281	5968	2218
		32	2027	2526	3064	3637	4239	4862	5494	
		38	1757	2225	2722	3245	3790	4350	4919	
		43		1971	2432	2913	3411	3921	4437	
PACS4524Z PAC4524Z	FH4524Z TFH4524Z	27	2083	2720	3400	4122	4884	5684	6519	2416
		32	1951	2543	3178	3854	4569	5322	6109	
		38	1796	2345	2936	3567	4237	4944	5682	
		43		2191	2754	3357	3999	4675	5380	
PACS4531Z PAC4531Z	FH4531Z TFH4531Z	27	3137	4055	4998	5966	6957	7969	8998	3199
		32	2934	3788	4669	5576	6507	7460	8431	
		38	2698	3491	4312	5161	6034	6929	7842	
		43		3262	4045	4856	5693	6551	7427	
PACS4540Z PAC4540Z	FH4540Z TFH4540Z	27	4025	5004	6052	7169	8351	9598	10904	4147
		32	3767	4677	5655	6701	7813	8986	10218	
		38	3466	4311	5224	6202	7245	8348	9506	
		43		4028	4900	5837	6836	7894	9004	
PAC4546Z	TAG4546Z	27	4315	5613	7102	8779	10642	12687	14908	4374
		32	3802	5015	6394	7940	9650	11521	13550	
		38	3198	4308	5556	6944	8471	10135	11935	
		43		3733	4872	6129	7504	8997	10609	
PAC4553Z	TAG4553Z	27	4876	6316	7953	9782	11794	13979	16321	5027
		32	4309	5657	7171	8849	10683	12663	14777	
		38	3623	4866	6239	7740	9365	11105	12952	
		43		4210	5469	6827	8283	9830	11461	
PAC4561Z	TAG4561Z	27	5628	7131	8825	10703	12759	14983	17367	5694
		32	5024	6434	8002	9723	11591	13600	15742	
		38	4286	5593	7017	8557	10209	11967	13830	
		43		4885	6197	7593	9071	10630	12269	
PAC4568Z	TAG4568Z	27	6773	8482	10422	12600	15022	17699	20640	6156
		32	6103	7728	9553	11586	13836	16314	19032	
		38	5295	6817	8502	10361	12403	14643	17095	
		43		6056	7624	9336	11206	13248	15482	
PAC4573Z	TAG4573Z	27	7336	9146	11198	13496	16042	18841	21897	6961
		32	6660	8359	10265	12383	14717	17273	20059	
		38	5828	7389	9116	11015	13092	15356	17816	
		43		6568	8143	9856	11718	13738	15930	
PAC4581Z	TAG4581Z	27	7943	9753	11704	13755	15856	17945	19952	7847
		32	7217	8950	10794	12716	14670	16603	18450	
		38	6323	7963	9682	11451	13233	14982	16644	
		43		7125	8740	10385	12027	13629	15145	

**Test Condition**

EN13215 : Return Gas Temperature 20 °C  
 Ambient Temperature : 32 °C

Power Consumption referred at 32 °C ambient temperature  
 Subcooling within the limits of the condensing unit

**R-404A/R-507**

**High Back Pressure Application**

# PERFORMANCE DATA

Packaged Model	Compressor Model	Ambient Temp. °C	Cooling Capacity in (W) at Evaporating Temp. (°C)						Power Input (W) @ evap. temp. -25 °C	
			-40	-35	-30	-25	-20	-15		-10
PACS2480Z PAC2480Z	FH2480Z TFH2480Z	27	956	1430	1900	2367	2828	3285	3736	1505
		32	835	1279	1726	2174	2625	3077	3528	
		38	718	1123	1538	1963	2398	2841	3291	
		43	642	1013	1400	1804	2223	2656	3102	
PACS2511Z PAC2511Z	FH2511Z TFH2511Z	27	1304	1870	2488	3159	3881	4653	5473	1956
		32	1150	1677	2263	2906	3606	4361	5170	
		38	996	1475	2018	2626	3297	4030	4822	
		43	893	1330	1837	2413	3058	3770	4545	
PAC2513Z	TAG2513Z	27	1423	2134	2985	3967	5066	6257	7508	2714
		32	1160	1821	2607	3513	4524	5620	6769	
		38	854	1455	2165	2980	3888	4870	5898	
		43	622	1175	1826	2569	3397	4289	5223	
PAC2516Z	TAG2516Z	27	1822	2602	3449	4362	5340	6381	7484	2939
		32	1606	2333	3135	4011	4960	5980	7068	
		38	1390	2050	2796	3624	4534	5524	6591	
		43	1245	1848	2543	3329	4204	5166	6211	
PAC2522Z	TAG2522Z	27	2378	3317	4426	5704	7144	8734	10456	3839
		32	2075	2954	3984	5166	6495	7960	9544	
		38	1716	2526	3465	4535	5733	7050	8472	
		43	1420	2174	3040	4019	5111	6308	7599	
PAC2525Z	TAG2525Z	27	2598	3597	4728	5970	7291	8643	9968	4244
		32	2246	3190	4249	5402	6618	7853	9049	
		38	1832	2709	3678	4723	5812	6905	7949	
		43	1512	2333	3232	4189	5178	6160	7087	

**Test Condition**

EN13215 : Return Gas Temperature 20 °C  
 Ambient Temperature : 32 °C

Power Consumption referred at 32 °C ambient temperature  
 Subcooling within the limits of the condensing unit

**R-404A/R-507**

**Low Back Pressure Application**



# PACKAGED CONDENSING UNIT

## TECHNICAL SPECIFICATION

Model	PAC4517Z	PAC4519Z	PAC4524Z	PAC4531Z	PAC4540Z
Compressor	CAJ/TAJ4517Z	CAJ/TAJ4519Z	FH/TFH4524Z	FH/TFH4531Z	FH/TFH4540Z
Nominal HP	1.4	1.6	2.0	2.6	3.3
Oil Type	POE	POE	POE	POE	POE
RLA [A]	7.3 / 3	9.9 / 4	10.7 / 4.3	14.1 / 5.3	19.4 / 7.5
MCC [A]	12.7 / 4	15.2 / 4.8	18.1 / 7.7	22.4 / 9	27 / 9.2
LRA [A]	38.5 / 18	45 / 22	49 / 24	66 / 27	88 / 44
Fan Size	1 x 18"	1 x 18"	1 x 18"	1 x 18"	1 x 18"
Fan Input	1 x 250 W	1 x 250 W	1 x 250 W	1 x 250 W	1 x 250 W
Suction Line Tube	5/8"	5/8"	5/8"	5/8"	5/8"
Liquid Line Tube	3/8"	3/8"	3/8"	3/8"	3/8"
Liquid Receiver	2.35 L	2.35 L	3.9 L	3.9 L	3.9 L
Platform	1	1	1	1	1
Size L, [mm]	1012	1012	1012	1012	1012
Size W, [mm]	505	505	505	505	505
Size H, [mm]	715	715	715	715	715
Weight	81	81	93	95	97

Model	PAC4546Z	PAC4553Z	PAC4561Z	PAC4568Z	PAC4573Z	PAC4581Z
Compressor	TAG4546Z	TAG4553Z	TAG4561Z	TAG4568Z	TAG4573Z	TAG4581Z
Nominal HP	3.8	4.4	5.0	5.7	6.0	6.75
Oil Type	POE	POE	POE	POE	POE	POE
RLA [A]	7	7.8	9	10.2	11.4	12.7
MCC [A]	11.4	13.4	14	15.2	19	20.8
LRA [A]	40	48	51	54	56	83
Fan Size	2 x 18"	2 x 18"	2 x 18"	2 x 18"	2 x 18"	2 x 18"
Fan Input	2 x 250 W	2 x 250 W	2 x 250 W	2 x 250 W	2 x 250 W	2 x 250 W
Suction Line Tube	7/8"	7/8"	7/8"	7/8"	7/8"	7/8"
Liquid Line Tube	1/2"	1/2"	1/2"	1/2"	1/2"	1/2"
Liquid Receiver	10 L	10 L	10 L	10 L	10 L	10 L
Platform	2	2	2	2	2	2
Size L, [mm]	1156	1156	1156	1156	1156	1156
Size W, [mm]	625	625	625	625	625	625
Size H, [mm]	1309	1309	1309	1309	1309	1309
Weight	160	161	162	163	163	163

Model	PAC2480Z	PAC2511Z	PAC2513Z	PAC2516Z	PAC2522Z	PAC2525Z
Compressor	FH/TFH2480Z	FH/TFH2511Z	TAG2513Z	TAG2516Z	TAG2522Z	TAG2525Z
Nominal HP	2.0	2.75	3.25	4.0	5.5	6.25
Oil Type	POE	POE	POE	POE	POE	POE
RLA [A]	7.2 / 2.8	11.5 / 3.7	4.2	4.6	6.1	6.3
MCC [A]	16 / 6.3	24 / 7.2	8.5	9.8	12.5	13.3
LRA [A]	68 / 23	81 / 28	42	45	63	56
Fan Size	1 x 18"	1 x 18"	2 x 18"	2 x 18"	2 x 18"	2 x 18"
Fan Input	1 x 250 W	1 x 250 W	2 x 250 W	2 x 250 W	2 x 250 W	2 x 250 W
Suction Line Tube	5/8"	5/8"	7/8"	7/8"	7/8"	7/8"
Liquid Line Tube	3/8"	3/8"	3/8"	3/8"	3/8"	3/8"
Liquid Receiver	3.9 L	3.9 L	10 L	10 L	10 L	10 L
Platform	1	1	2	2	2	2
Size L, [mm]	1012	1012	1156	1156	1156	1156
Size W, [mm]	505	505	625	625	625	625
Size H, [mm]	715	715	1309	1309	1309	1309
Weight	95	95	160	161	164	164

LRA : Lock Rotor Ampere

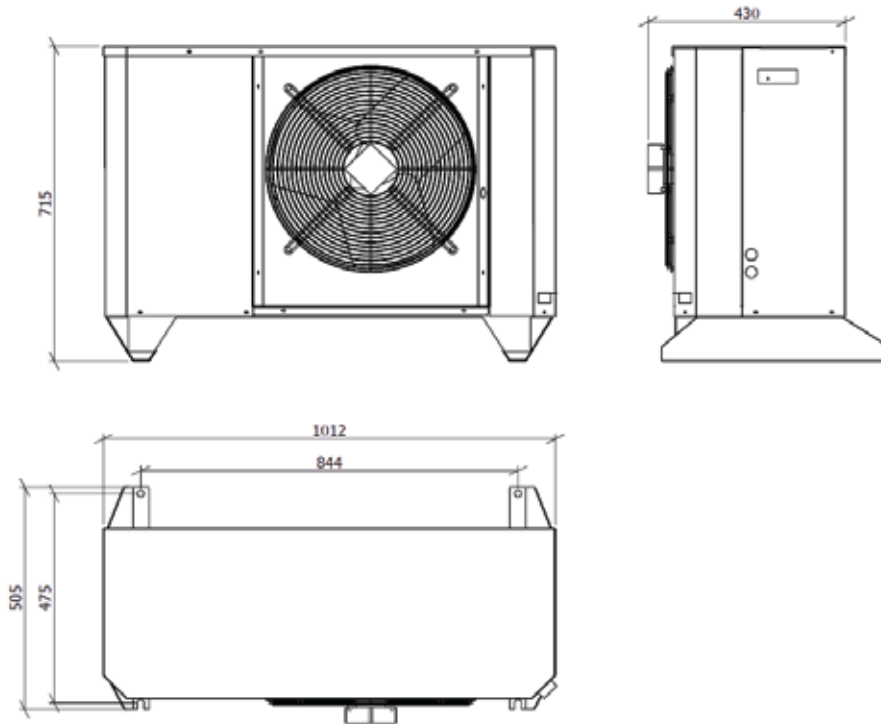
RLA : Rated Load Ampere

MCC : Maximum Continuous Current

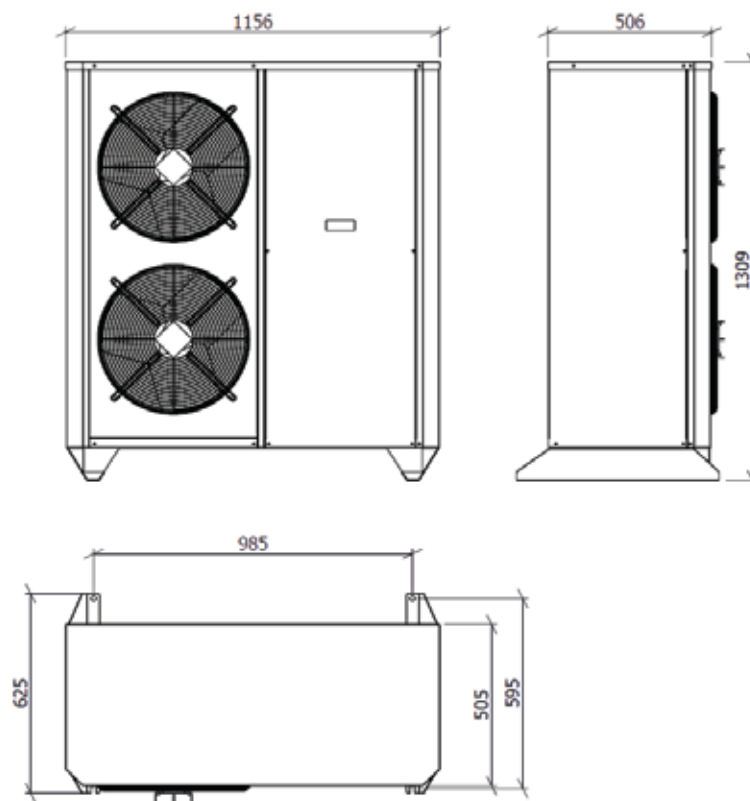
# PACKAGED CONDENSING UNIT

## DIMENSIONAL DRAWINGS

Base 1



Base 2







*Tecumseh*

**Tecumseh Euro-Malaysia Sdn Bhd**

18, Jalan Sultan Mohamed 4,  
Selat Klang Utara, 42000  
Port Klang, Selangor Darul Ehsan,  
Malaysia.

Tel: 603 - 3176 3886

Fax: 603- 3176 3890

Website: [www.tecumseh.com](http://www.tecumseh.com)

Email: [tem.marketing@tecumseh.com](mailto:tem.marketing@tecumseh.com)

