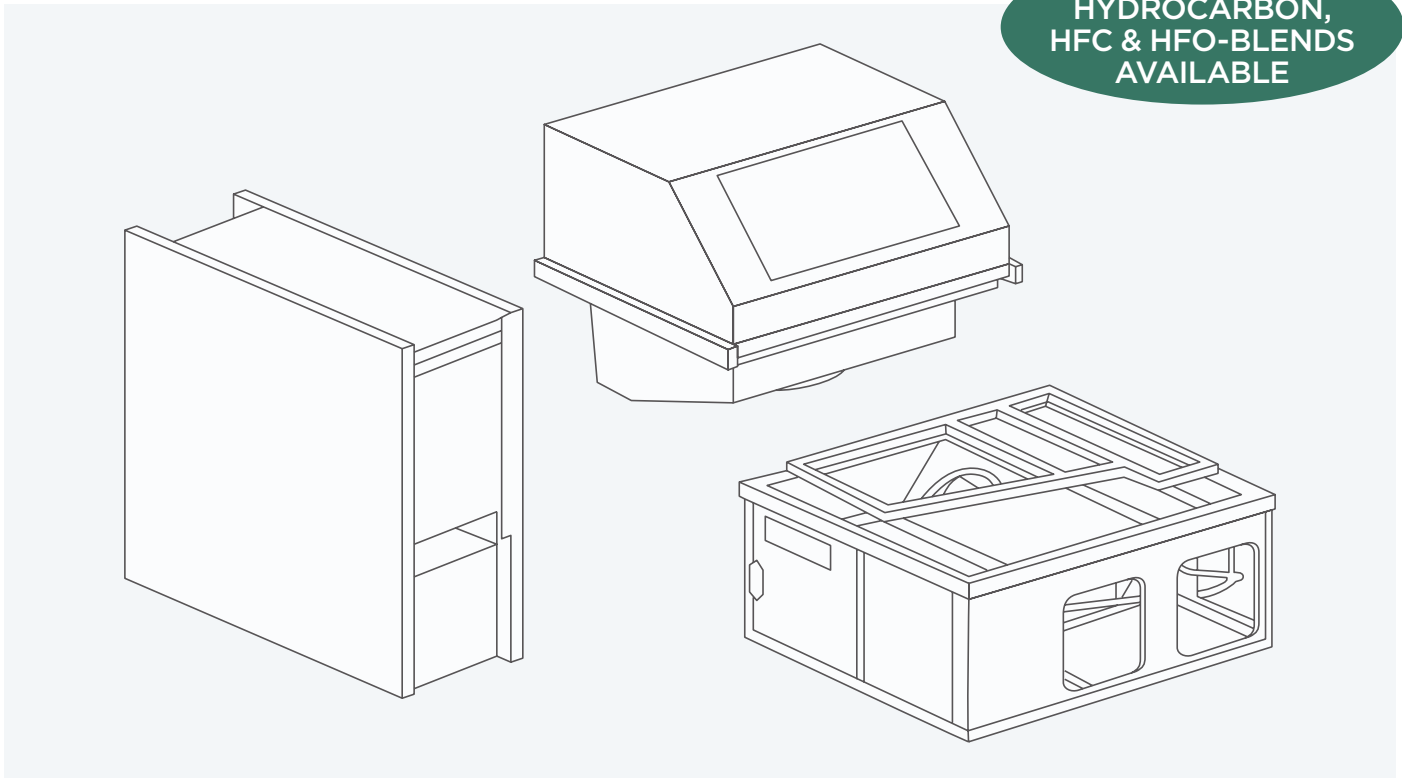


# SELF-CONTAINED REFRIGERATION SYSTEM

FULLY CUSTOMIZED SYSTEM

ASSEMBLED, CHARGED, TESTED & READY-TO-COOL

R-290,  
HYDROCARBON,  
HFC & HFO-BLENDS  
AVAILABLE



**VARIABLE OR FIXED SPEED COMPRESSORS**

**TOP, BOTTOM AND SIDE LOADED OPTIONS**

**SYSTEM SHIPPED FULLY CHARGED**

**SAFE & EFFORTLESS TRANSITION TO  
NATURAL REFRIGERANT TECHNOLOGY**

- Ideal for supermarkets, convenience stores & professional kitchens
- Simple & safe drop-and-go solution with natural refrigerants
- Compact, portable system tailored to any installation requirement

# SELF-CONTAINED REFRIGERATION SYSTEM



## CUSTOM SOLUTIONS

Top, bottom and side loaded capabilities

Variable and fixed speed options available

Compact, portable and easy to move

## SUSTAINABILITY

R-290 refrigerant meets strict DOE requirements

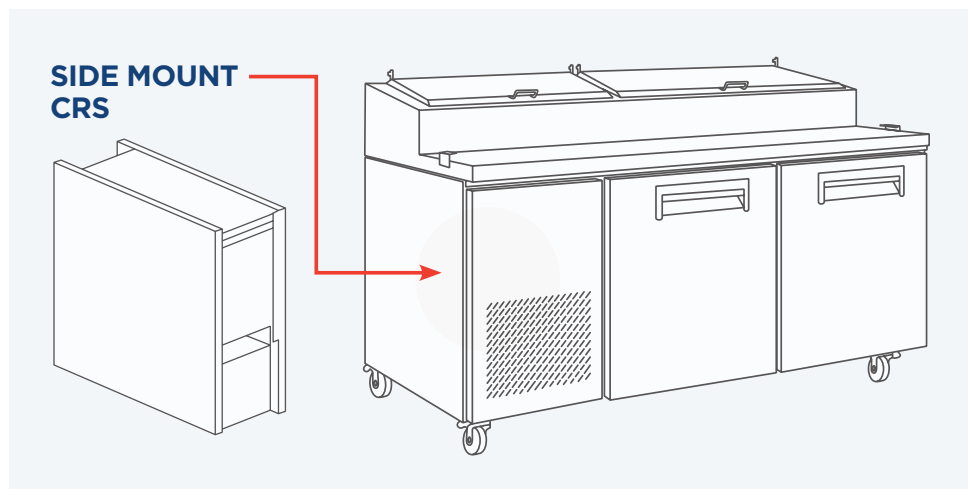
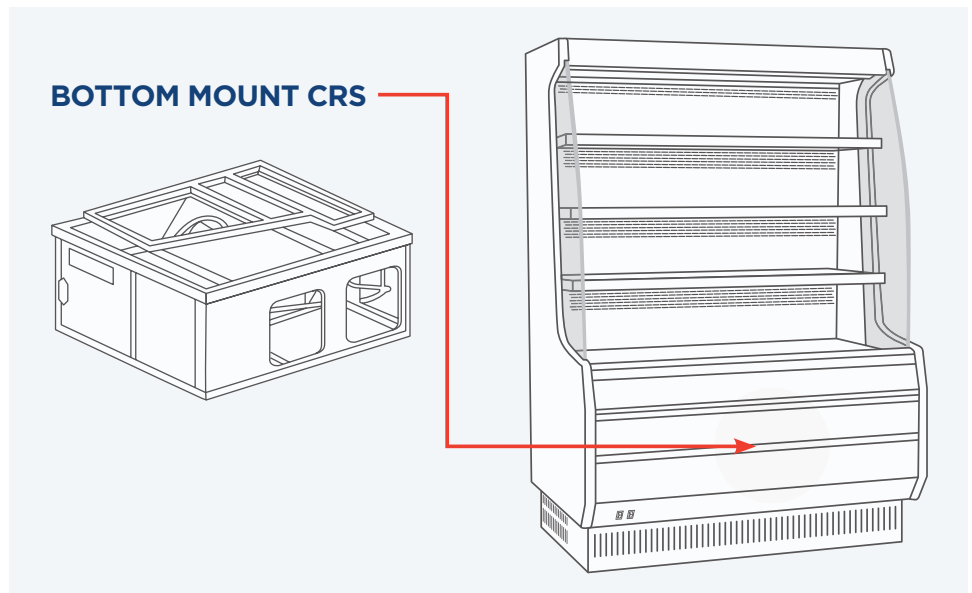
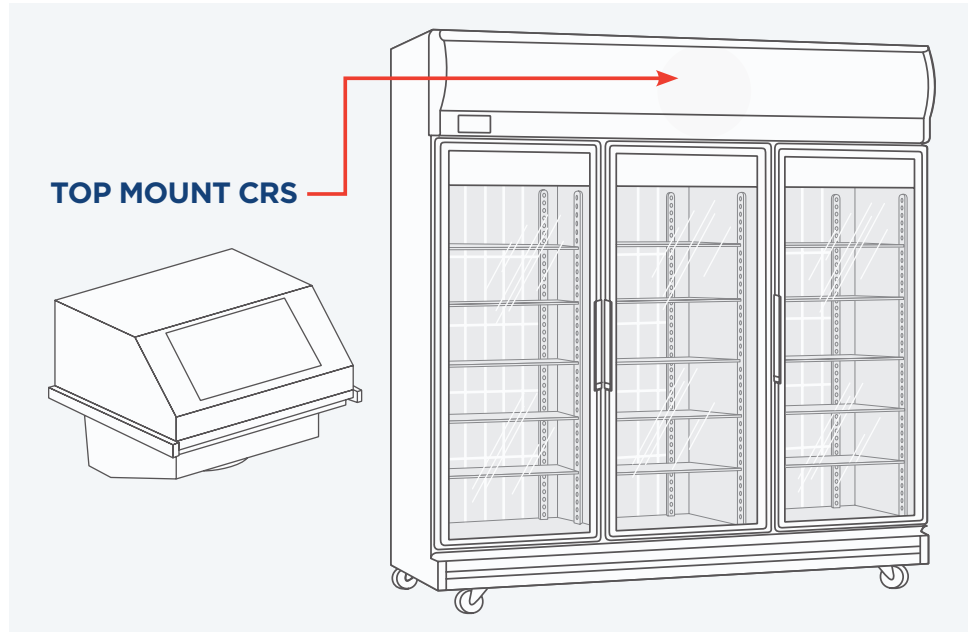
Meets the growing demand for environmentally-friendly solutions

## SAFETY & SERVICEABILITY

Fully assembled, charged, tested and ready-to-cool

Our investment in R290 at our manufacturing facility puts safety at the forefront

If a service issue arises, we will swap out with brand new system



### COMPONENTS OPTIONS AVAILABLE:

- Compressor
- EC fan motors
- Optimized condenser & evaporator coils
- Optional electric heater
- Optional controller

### SYSTEM OPTIONS AVAILABLE:

- Fully charged systems
- TXV or electronic expansion valve
- Mechanical or electronic controls
- Evaporative condensate option

[WWW.TECUMSEH.COM](http://WWW.TECUMSEH.COM)  
[tecumsehmarketing@tecumseh.com](mailto:tecumsehmarketing@tecumseh.com)