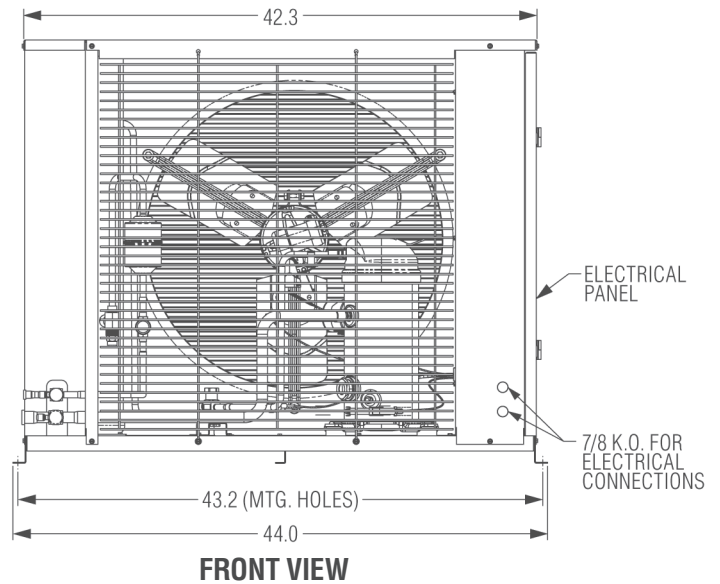
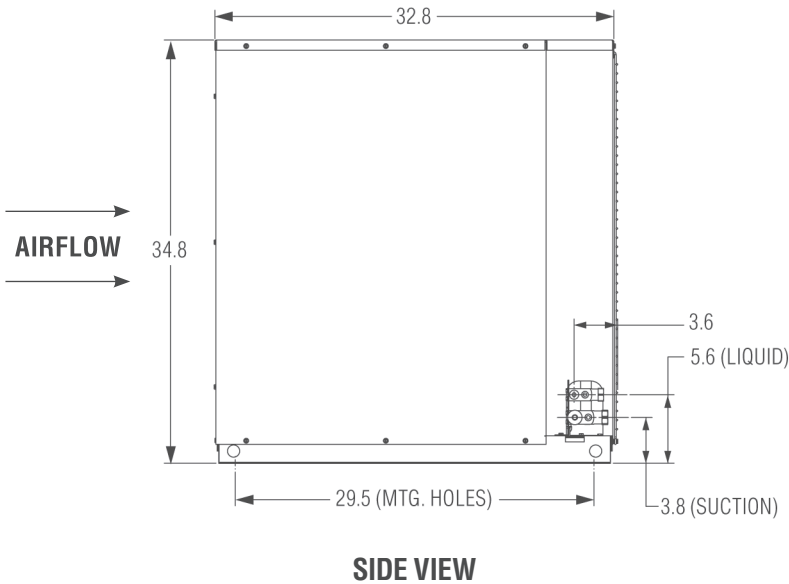
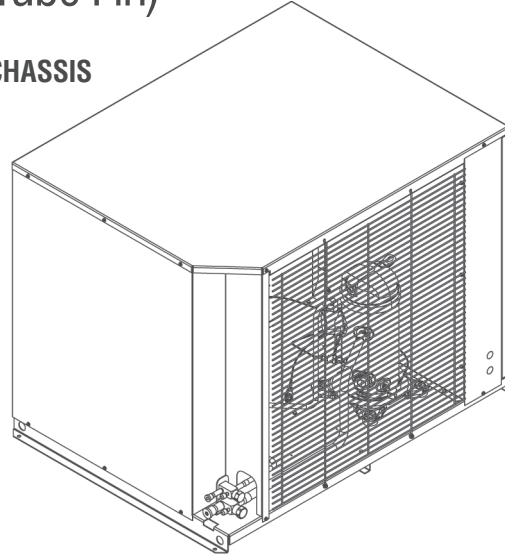


## 3 to 6 HP Medium Temperature Platform (Tube Fin)

|                |  |
|----------------|--|
| Project Name:  |  |
| Customer Name: |  |
| Model Number:  |  |
| Refrigerant:   |  |
| Job Location:  |  |
| Date:          |  |
| AWEF:          |  |

LARGE CHASSIS



### Physical Data

| ARGUS Series | Model Number   | Compressor   |    | Connections (inch) |          | Pump Down Capacity* (lbs)<br>90% @ 90°F Ambient / R-404A |           | Net Weight (lbs) |
|--------------|----------------|--------------|----|--------------------|----------|----------------------------------------------------------|-----------|------------------|
|              |                | Model Number | HP | Liquid             | Suction  | Standard                                                 | Oversized |                  |
| R-404A       | AS*S9524ZNA*** | VSC9526XNA   | 3  | 1/2" S             | 7/8" S   | 36.26                                                    | 47.39     | 347              |
|              | AS*S9524ZFA*** | VSC9526XMA   | 3  | 1/2" S             | 7/8" S   | 36.26                                                    | 47.39     | 347              |
| R-448A       | AS*S9532ZNA*** | VSC9530XNA   | 4  | 1/2" S             | 1-1/8" S | 36.26                                                    | 47.39     | 347              |
| R-449A       | AS*S9532ZFA*** | VSC9530XMA   | 4  | 1/2" S             | 1-1/8" S | 36.26                                                    | 47.39     | 347              |
| R-452A       | AS*S9540ZNA*** | VSC9538XNA   | 5  | 1/2" S             | 1-1/8" S | 40.65                                                    | 51.77     | 347              |
|              | AS*S9540ZFA*** | VSC9538XMA   | 5  | 1/2" S             | 1-1/8" S | 40.65                                                    | 51.77     | 347              |
|              | AS*S9548ZFA*** | VSC9545XXT   | 6  | 1/2" S             | 1-1/8" S | 40.65                                                    | 51.77     | 347              |

\*Receiver + Coil Capacity

### Electrical Data

| Model Number   | Power Supply | Compressor |     | Condensing Unit |      | Fan Motor (PSC) |     |     |
|----------------|--------------|------------|-----|-----------------|------|-----------------|-----|-----|
|                | Volts/Hz/Ph  | RLA        | LRA | MCA*            | MOPD | Qty             | HP  | FLA |
| AS*S9524ZNA*** | 208-230/60/1 | 21         | 115 | 28.7            | 45   | 1               | 1/3 | 2.2 |
| AS*S9524ZFA*** | 208-230/60/3 | 14.1       | 95  | 20.1            | 30   | 1               | 1/3 | 2.2 |
| AS*S9532ZNA*** | 208-230/60/1 | 24.4       | 150 | 32.9            | 50   | 1               | 1/3 | 2.2 |
| AS*S9532ZFA*** | 208-230/60/3 | 16.7       | 120 | 23.3            | 40   | 1               | 1/3 | 2.2 |
| AS*S9540ZNA*** | 208-230/60/1 | 28.9       | 160 | 38.6            | 60   | 1               | 1/3 | 2.2 |
| AS*S9540ZFA*** | 208-230/60/3 | 16.7       | 125 | 23.4            | 40   | 1               | 1/3 | 2.2 |
| AS*S9548ZFA*** | 200-230/60/3 | 19.2       | 170 | 26.5            | 45   | 1               | 1/3 | 2.2 |

\*Add .21 Amps for Heated Receiver

### DOE AWEF (AHRI 1250)

| AWEF Table      | Model Number   | Indoor | Outdoor |
|-----------------|----------------|--------|---------|
| R-404A          | AS*S9524Z***** | 5.72   | 8.20    |
|                 | AS*S9532Z***** | 5.81   | 9.19    |
|                 | AS*S9540Z***** | 6.12   | 8.95    |
|                 | AS*S9548Z***** | 5.69   | 8.31    |
| R-449A / R-448A | AS*S9524Z***** | 5.70   | 8.22    |
|                 | AS*S9532Z***** | 5.81   | 9.41    |
|                 | AS*S9540Z***** | 6.08   | 8.46    |
| R-452A          | AS*S9548Z***** | 5.69   | 8.31    |
|                 | AS*S9524Z***** | 5.70   | 8.14    |
|                 | AS*S9532Z***** | 5.81   | 8.26    |
|                 | AS*S9540Z***** | 5.61   | 8.31    |
|                 | AS*S9548Z***** | 5.61   | 8.37    |

## 3 to 6 HP Medium Temperature Platform (Tube Fin)

### Performance Tables (R-404A)

| 80°F AMBIENT   |                           |        |        |        |        |        |
|----------------|---------------------------|--------|--------|--------|--------|--------|
| Model Number   | Suction Temperature (SST) |        |        |        |        |        |
|                | 30°F                      | 25°F   | 20°F   | 10°F   | 0°F    | -10°F  |
| AS*S9524Z***** | 39,404                    | 35,830 | 34,238 | 27,642 | 21,950 | 17,133 |
| AS*S9532Z***** | 47,339                    | 43,707 | 42,392 | 35,178 | 28,504 | 22,343 |
| AS*S9540Z***** | 56,188                    | 51,748 | 50,048 | 41,232 | 33,069 | 25,530 |
| AS*S9548Z***** | 68,026                    | 61,918 | 59,231 | 47,937 | 38,170 | 29,883 |

| 90°F AMBIENT   |                           |        |        |        |        |        |
|----------------|---------------------------|--------|--------|--------|--------|--------|
| Model Number   | Suction Temperature (SST) |        |        |        |        |        |
|                | 30°F                      | 25°F   | 20°F   | 10°F   | 0°F    | -10°F  |
| AS*S9524Z***** | 35,846                    | 32,535 | 31,039 | 25,011 | 19,879 | 15,617 |
| AS*S9532Z***** | 43,305                    | 39,928 | 38,674 | 32,008 | 25,876 | 20,253 |
| AS*S9540Z***** | 50,778                    | 46,788 | 45,290 | 37,436 | 30,227 | 23,634 |
| AS*S9548Z***** | 60,455                    | 55,028 | 52,680 | 42,842 | 34,516 | 27,660 |

| 95°F AMBIENT   |                           |        |        |        |        |        |
|----------------|---------------------------|--------|--------|--------|--------|--------|
| Model Number   | Suction Temperature (SST) |        |        |        |        |        |
|                | 30°F                      | 25°F   | 20°F   | 10°F   | 0°F    | -10°F  |
| AS*S9524Z***** | 34,066                    | 30,887 | 29,441 | 23,695 | 18,843 | 14,860 |
| AS*S9532Z***** | 41,289                    | 38,038 | 36,815 | 30,423 | 24,563 | 19,208 |
| AS*S9540Z***** | 48,074                    | 44,308 | 42,911 | 35,539 | 28,806 | 22,686 |
| AS*S9548Z***** | 56,670                    | 51,583 | 49,405 | 40,294 | 32,689 | 26,550 |

| 100°F AMBIENT  |                           |        |        |        |        |        |
|----------------|---------------------------|--------|--------|--------|--------|--------|
| Model Number   | Suction Temperature (SST) |        |        |        |        |        |
|                | 30°F                      | 25°F   | 20°F   | 10°F   | 0°F    | -10°F  |
| AS*S9524Z***** | 32,287                    | 29,240 | 27,842 | 22,379 | 17,808 | 14,103 |
| AS*S9532Z***** | 39,272                    | 36,149 | 34,956 | 28,839 | 23,250 | 18,164 |
| AS*S9540Z***** | 45,369                    | 41,828 | 40,532 | 33,640 | 27,385 | 21,738 |
| AS*S9548Z***** | 52,884                    | 48,138 | 46,130 | 37,747 | 30,861 | 25,438 |

| 110°F AMBIENT  |                           |        |        |        |        |        |
|----------------|---------------------------|--------|--------|--------|--------|--------|
| Model Number   | Suction Temperature (SST) |        |        |        |        |        |
|                | 30°F                      | 25°F   | 20°F   | 10°F   | 0°F    | -10°F  |
| AS*S9524Z***** | 28,728                    | 25,945 | 24,644 | 19,748 | 15,736 | —      |
| AS*S9532Z***** | 35,239                    | 32,370 | 31,239 | 25,670 | 20,623 | 16,074 |
| AS*S9540Z***** | 39,959                    | 36,868 | 35,774 | 29,844 | 24,542 | 19,842 |
| AS*S9548Z***** | 45,313                    | 41,248 | 39,579 | 32,652 | 27,208 | 23,216 |

\*All capacity data is at dew point conditions

\*Return gas 40°F below 20°F Evaporator and 65°F above 20°F evaporator, Sub Cooling 5°F

\*Medium temperature evaporating temperature range is from -10°F to +45°F

### Performance Tables (R-448A / R-449A)

| 80°F AMBIENT   |                           |        |        |        |        |        |
|----------------|---------------------------|--------|--------|--------|--------|--------|
| Model Number   | Suction Temperature (SST) |        |        |        |        |        |
|                | 30°F                      | 25°F   | 20°F   | 10°F   | 0°F    | -10°F  |
| AS*S9524Z***** | 36,289                    | 33,118 | 31,612 | 25,500 | 19,940 | 14,914 |
| AS*S9532Z***** | 42,383                    | 38,636 | 36,865 | 29,817 | 23,560 | 18,069 |
| AS*S9540Z***** | 50,806                    | 46,277 | 44,128 | 35,668 | 28,210 | 21,728 |
| AS*S9548Z***** | 58,695                    | 53,593 | 51,233 | 41,630 | 33,101 | 25,613 |

| 90°F AMBIENT   |                           |        |        |        |        |        |
|----------------|---------------------------|--------|--------|--------|--------|--------|
| Model Number   | Suction Temperature (SST) |        |        |        |        |        |
|                | 30°F                      | 25°F   | 20°F   | 10°F   | 0°F    | -10°F  |
| AS*S9524Z***** | 33,791                    | 30,759 | 29,278 | 23,465 | 18,202 | 13,471 |
| AS*S9532Z***** | 39,630                    | 36,046 | 34,313 | 27,613 | 21,699 | 16,550 |
| AS*S9540Z***** | 47,334                    | 43,028 | 40,945 | 32,962 | 25,976 | 19,960 |
| AS*S9548Z***** | 54,859                    | 50,002 | 47,713 | 38,633 | 30,620 | —      |

| 95°F AMBIENT   |                           |        |        |        |        |        |
|----------------|---------------------------|--------|--------|--------|--------|--------|
| Model Number   | Suction Temperature (SST) |        |        |        |        |        |
|                | 30°F                      | 25°F   | 20°F   | 10°F   | 0°F    | -10°F  |
| AS*S9524Z***** | 32,542                    | 29,580 | 28,111 | 22,448 | 17,333 | —      |
| AS*S9532Z***** | 38,254                    | 34,751 | 33,037 | 26,510 | 20,769 | 15,791 |
| AS*S9540Z***** | 45,598                    | 41,403 | 39,354 | 31,609 | 24,859 | —      |
| AS*S9548Z***** | 52,942                    | 48,207 | 45,954 | 37,134 | 29,379 | —      |

| 100°F AMBIENT  |                           |        |        |        |        |        |
|----------------|---------------------------|--------|--------|--------|--------|--------|
| Model Number   | Suction Temperature (SST) |        |        |        |        |        |
|                | 30°F                      | 25°F   | 20°F   | 10°F   | 0°F    | -10°F  |
| AS*S9524Z***** | 31,293                    | 28,401 | 26,945 | 21,432 | 16,464 | —      |
| AS*S9532Z***** | 36,878                    | 33,456 | 31,761 | 25,407 | 19,839 | 15,032 |
| AS*S9540Z***** | 43,863                    | 39,779 | 37,763 | 30,255 | 23,741 | —      |
| AS*S9548Z***** | 51,024                    | 46,411 | 44,194 | 35,635 | 28,138 | —      |

| 110°F AMBIENT  |                           |        |        |        |        |       |
|----------------|---------------------------|--------|--------|--------|--------|-------|
| Model Number   | Suction Temperature (SST) |        |        |        |        |       |
|                | 30°F                      | 25°F   | 20°F   | 10°F   | 0°F    | -10°F |
| AS*S9524Z***** | 28,794                    | 26,042 | 24,611 | 19,397 | —      | —     |
| AS*S9532Z***** | 34,126                    | 30,866 | 29,208 | 23,203 | 17,978 | —     |
| AS*S9540Z***** | 40,391                    | 36,530 | 34,580 | 27,549 | —      | —     |
| AS*S9548Z***** | 47,189                    | 42,820 | 40,675 | 32,637 | —      | —     |

### Performance Tables (R-452A)

| 80°F AMBIENT   |                           |        |        |        |        |        |
|----------------|---------------------------|--------|--------|--------|--------|--------|
| Model Number   | Suction Temperature (SST) |        |        |        |        |        |
|                | 30°F                      | 25°F   | 20°F   | 10°F   | 0°F    | -10°F  |
| AS*S9524Z***** | 37,923                    | 34,614 | 33,134 | 26,870 | 21,304 | 16,409 |
| AS*S9532Z***** | 44,230                    | 40,558 | 38,983 | 31,794 | 25,197 | 19,166 |
| AS*S9540Z***** | 52,038                    | 47,492 | 45,474 | 36,966 | 29,490 | 23,013 |
| AS*S9548Z***** | 60,549                    | 55,229 | 52,889 | 43,124 | 34,718 | 27,630 |

| 90°F AMBIENT   |                           |        |        |        |        |        |
|----------------|---------------------------|--------|--------|--------|--------|--------|
| Model Number   | Suction Temperature (SST) |        |        |        |        |        |
|                | 30°F                      | 25°F   | 20°F   | 10°F   | 0°F    | -10°F  |
| AS*S9524Z***** | 35,132                    | 32,012 | 30,591 | 24,732 | 19,565 | 15,068 |
| AS*S9532Z***** | 41,048                    | 37,590 | 36,083 | 29,354 | 23,211 | 17,633 |
| AS*S9540Z***** | 48,089                    | 43,826 | 41,911 | 34,009 | 27,133 | 21,253 |
| AS*S9548Z***** | 56,002                    | 51,011 | 48,790 | 39,728 | 32,018 | 25,621 |

| 95°F AMBIENT   |                           |        |        |        |        |        |
|----------------|---------------------------|--------|--------|--------|--------|--------|
| Model Number   | Suction Temperature (SST) |        |        |        |        |        |
|                | 30°F                      | 25°F   | 20°F   | 10°F   | 0°F    | -10°F  |
| AS*S9524Z***** | 33,737                    | 30,711 | 29,320 | 23,663 | 18,696 | 14,397 |
| AS*S9532Z***** | 39,457                    | 36,106 | 34,633 | 28,134 | 22,219 | 16,866 |
| AS*S9540Z***** | 46,114                    | 41,992 | 40,129 | 32,530 | 25,955 | 20,372 |
| AS*S9548Z***** | 53,729                    | 48,901 | 46,741 | 38,031 | 30,667 | 24,617 |

| 100°F AMBIENT  |                           |        |        |        |        |        |
|----------------|---------------------------|--------|--------|--------|--------|--------|
| Model Number   | Suction Temperature (SST) |        |        |        |        |        |
|                | 30°F                      | 25°F   | 20°F   | 10°F   | 0°F    | -10°F  |
| AS*S9524Z***** | 32,342                    | 29,410 | 28,048 | 22,594 | 17,827 | 13,726 |
| AS*S9532Z***** | 37,866                    | 34,622 | 33,182 | 26,913 | 21,227 | 16,100 |
| AS*S9540Z***** | 44,139                    | 40,159 | 38,348 | 31,052 | 24,777 | 19,493 |
| AS*S9548Z***** | 51,456                    | 46,792 | 44,692 | 36,332 | 29,317 | 23,611 |

| 110°F AMBIENT  |                           |        |        |        |        |       |
|----------------|---------------------------|--------|--------|--------|--------|-------|
| Model Number   | Suction Temperature (SST) |        |        |        |        |       |
|                | 30°F                      | 25°F   | 20°F   | 10°F   | 0°F    | -10°F |
| AS*S9524Z***** | 29,552                    | 26,808 | 25,507 | 20,455 | 16,088 | —     |
| AS*S9532Z***** | 34,684                    | 31,655 | 30,283 | 24,474 | 19,242 | —     |
| AS*S9540Z***** | 40,190                    | 36,493 | 34,783 | 28,095 | 22,420 | —     |
| AS*S9548Z***** | 46,909                    | 42,573 | 40,594 | 32,936 | 26,617 | —     |