



Tecumseh

Product Changing Notice – nr.: 001/2022

São Carlos – S.P. Brazil, April 25th of 2022.

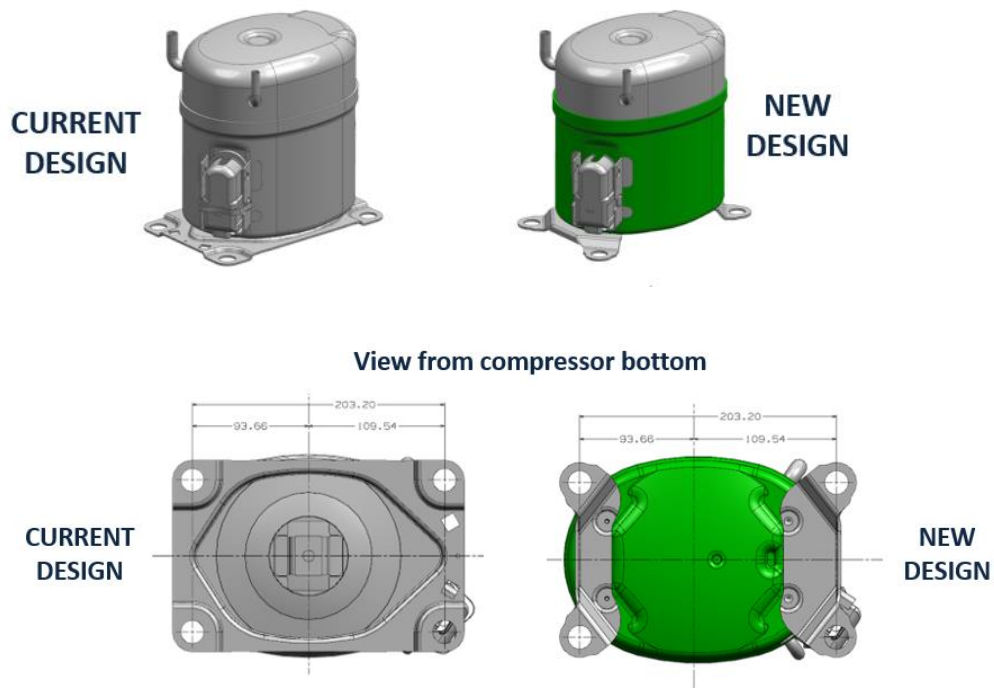
Subject: Tecumseh compressors AK-BR and TY new mounting bracket.

Dear Customer,

As part of our continuous effort to improve our product offer, Tecumseh is announcing the standardization AK-BR and TY compressors mounting bracket with the one currently in use with AK USA (AKA) compressors.

The change will allow the standardization of components and of the assembly processes for some customers.

The following pictures depict the changes in the design of AK-BR and TY compressors (please note the mounting brackets at the bottom of the compressors).





Tecumseh

Important notes:

- a) The overall compressor dimensions of the compressors will not be changed (height, length, or depth). Similarly, the position of the mounting holes in the mounting plates will not be changed. This should allow a seamless transition to the new version as no impact is foreseen in the assembly of the new, standardized version to the refrigeration cabinets.
- b) Extensive testing done at Tecumseh shows no change in robustness, vibration, or sound characteristics of the compressors.
- c) There are no changes in other external components of the compressor involved in this project.

This change will go into effect from September 05th ,2022.

Tecumseh will apply all efforts to provide a smooth and continuous transition from the above date, but you might receive the delivery of both versions for a very limited time due to transportation cargo consolidation. However, we expect complete interchangeability between both versions with no impact in the compressor assembly at your manufacturing line or in field replacements.

We encourage you to review this information as soon as possible, and, in case of questions, please contact your local Tecumseh Sales personnel for further information.

Sincerely,
Tecumseh do Brasil Ltda.