



Tecumseh

“A Legend Reborn”



AEX Model Extension of AE² Series Compressor

ENVIRONMENTALLY FRIENDLY

Designed for optimal performance with eco-friendly hydrocarbon refrigerant R290 (Propane).

PROVEN RELIABILITY

Leverages robust design attributes developed from 50-years of AE commercial refrigeration experience.

PRODUCT OFFERING

Bolsters the AE² lineup with six new low/medium temperature models.

EXPANDED CAPACITY IN BROADER EVAPORATING RANGE

1400-2900 Btu low temp and 2800-5900 Btu medium temp at an expanded evaporating range of -31°F to +23°F (-35°C to -5°C).

REDUCED ENERGY CONSUMPTION

Significant efficiency improvements compared to the legacy AE compressor and non-hydrocarbon refrigerants.

SERVICE AND SUPPORT

Backed by Tecumseh's network of knowledgeable application engineers, test labs & support.

AE² SERIES COMPRESSOR NOMENCLATURE

(AE² models only) **AE** **X** **415** **U** **DS** **1B**

All models except AE²) **AEA** **4** **440** **Y** **XA**

Examples:
AE² model number including AEX:
AE4440Y-AA1A
AEX415U-DSIB

Model number except AE²:
AEA4440YXA

Compressor Family (First Two Digits) Release Variant (The Third Digit)	Application	BTU Capacity (First Digit) Rated BTU Capacity (Last Two Digits)	Refrigerant	Voltage	Release Variant (AE ² models only)
---	-------------	---	-------------	---------	--

- AE**
- AG**
- AH**
- AJ**
- AK**
- AN**
- AV**
- AW**
- AZ**
- RG**
- RK**
- SA**
- SF**
- TP**
- HG**
- TH**
- TW**
- VS**

- A** = 1st
- B** = 2nd
- C** = 3rd
- etc...**

In this example (4) total digits, with the first two (40), or 4,000 BTU capacity

- Primary Refrigerants**
- A** = R12
 - B** = R410A
 - C** = R407C
 - E** = R22
 - J** = R502
 - U** = R290
 - Y** = R134a
 - Z** = R404A/R507

- The first digit is the Motor Type; The next digit is the Motor Efficiency
- 1 = Induction Run (RSIR/CSIR)
 - 2 = Optional Run Cap
 - 3 = Capacitor Start/Run (CSR)
 - A = Standard Efficiency
 - B = Medium Efficiency
 - C = High Efficiency

Primary Application Parameters		
Evap Temperature	Rating Point	Motor Starting Torque
1. Low	-10°F	Normal
2. Low	-10°F	High
3. High	+45°F	Normal
4. High	+45°F	High
5. Air Cond	+45°F	Normal
6. Medium	+20°F	Normal
7. Medium	+20°F	High
8. Air Cond	+49°F	Normal
9. Commercial	+20°F	High
0. Commercial	+20°F	Normal
F. Low – Vapor Inj	-10°F	High
G. Low – Liquid Inj	-10°F	High
X. Low/Medium	-10°F	High
	+20°F	

Voltage Codes
AA = 115/60/1
AB = 115/60/1; 90/50/1
DS = 115-127/60/1
FZ = 220-240/50/1
NA = 208-230/60/1
VA = 265/60/1; 220-240/50/1
XA = 115/60/1; 100/50/1
XB = 230/60/1; 200/50/1
XC = 220-240/50/1
XD = 208-230/60/1; 200/50/1
XF = 208-230/60/3; 200-240/50/3
XG = 460/60/3; 380-420/50/3
XH = 575/60/3; 480-520/50/3
XN = 208-230/60/1; 200-220/50/1
XP = 220/60/1; 200/50/1
XT = 200-230/60/3; 200-220/50/3
XU = 100/60/1; 100/50/1
XV = 265/60/1

NOTE: For explanation of compressor families and codes, contact Tecumseh Products Company.

The AE² is well positioned to be the R290 (Propane) compressor of choice with the addition of the AEX models.

Throughout its history, Tecumseh Products Company has been a leader in providing customers with efficient and reliable products for commercial refrigeration and air conditioning applications. As a result, commercial refrigeration equipment manufacturers, wholesale distributors and service contractors continue to demand the AE compressor for their specific needs. Following on the path of its predecessor, the AEX models extend the ecofriendly R290 (propane) refrigerant further into the AE² family that delivers best-in-class efficiency, a smaller size envelope and Tecumseh's industry known standard for reliability. It's optimal design for most low and medium temperature applications may allow purchased SKU reductions.

AEX MODEL COMPRESSOR INFORMATION

Capacity Range:

- LBP: 1400-2900 Btu/h (1/3 - 3/4 HP)
- MBP: 2800-5900 Btu/h (1/3 to 3/4 HP)

Refrigerant(s):

- R290

Application(s):

- L/MBP: expanded range -31°F (-35°C) to +23°F (-5°C)

Key Features:

- Alternate Refrigerant Platform - R290
- Energy efficient, compact size, serving larger capacity
- Expanded evaporator range L/MBP -31°F (-35.0°C) to +23°F (-5°C)
- Versatile product; compressor, condensing unit to service replacement

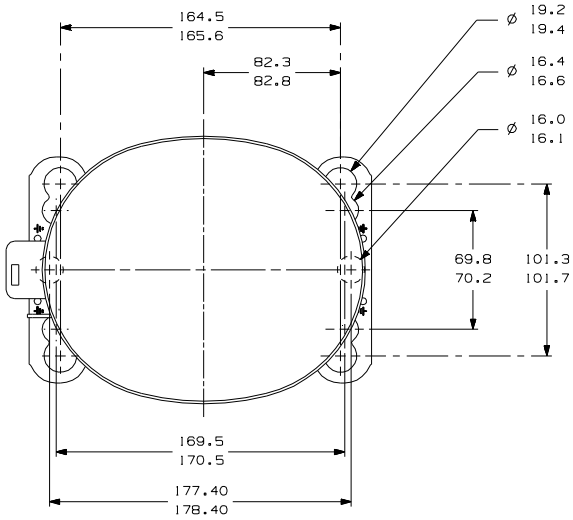
AEX PERFORMANCE SPECIFICATIONS

Model	Voltage	Motor	Disp. (cc)	Rating Condition	LBP -10°F (-23.3°C)		MBP +20°F (-6.7°C)	
					Btu/hr	EER	Btu/hr	EER
AEX415U-DSIB	DS	CSIR/HST	7.33	ASHRAE	1420	4.98	2790	7.34
				ARI	1151	4.14	2267	6.19
AEX417U-DSIB	DS	CSIR/HST	8.02	ASHRAE	1540	4.89	3120	7.45
				ARI	1281	4.16	2541	6.29
AEX419U-DSIB	DS	CSIR/HST	9.35	ASHRAE	1770	4.85	3530	7.26
				ARI	1476	4.13	2873	6.02
AEX424U-DS3C	DS	CSR/HST	12.01	ASHRAE	2400	5.30	4650	7.52
				ARI	1928	4.22	3753	6.04
AEX428U-DS3C	DS	CSR/HST	13.24	ASHRAE	2550	5.20	5150	7.65
				ARI	2065	4.26	4084	6.29
AEX433U-AA3C	AA	CSR/HST	15.09	ASHRAE	2945	5.14	5870	7.48
				ARI	2425	4.31	4705	6.26

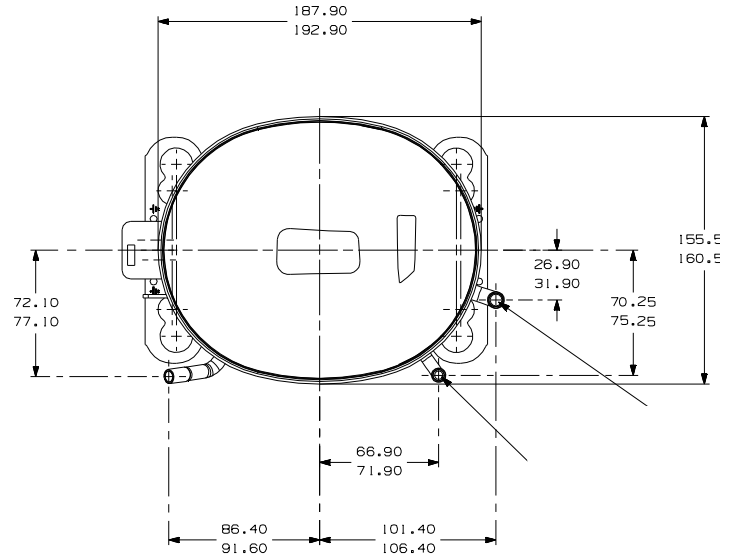
AEX COMPRESSOR DIMENSIONS

Top Views*

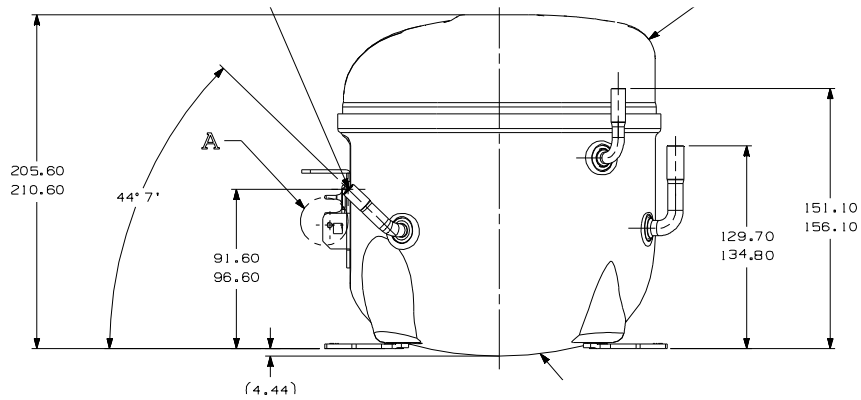
Mounting Bracket



Tubing Locations



Front View



*All dimensions in millimeters.