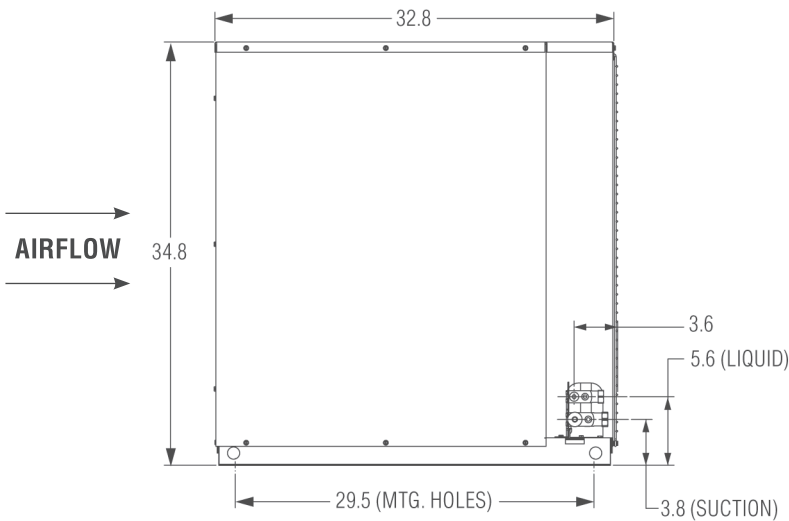
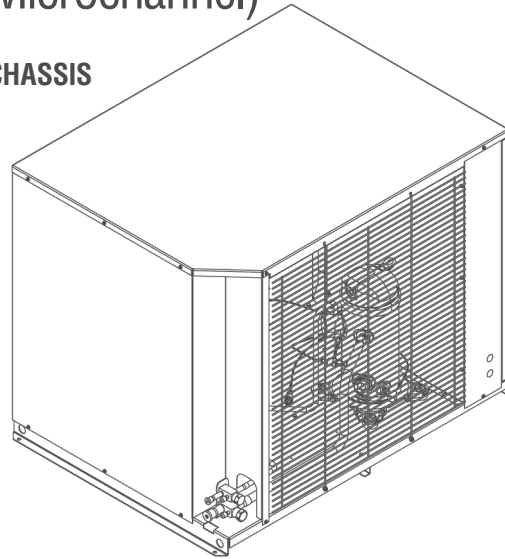


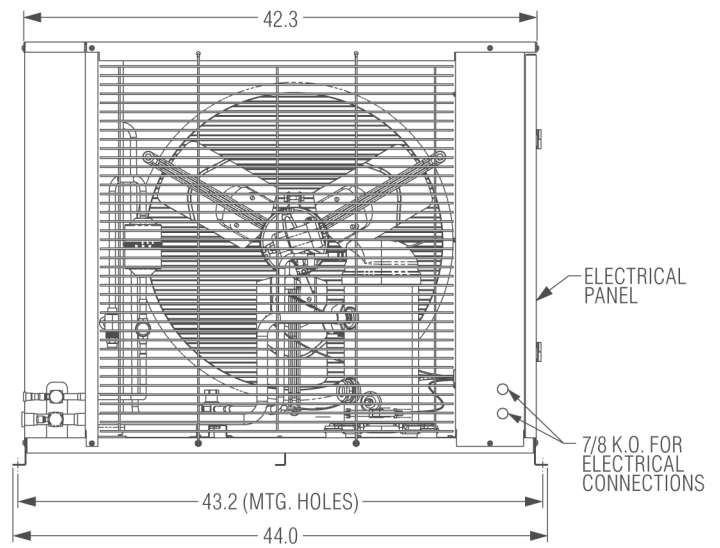
3 to 6 HP Medium Temperature Platform (Microchannel)

Project Name:	
Customer Name:	
Model Number:	
Refrigerant:	
Job Location:	
Date:	
AWEF:	

LARGE CHASSIS



SIDE VIEW



FRONT VIEW

Physical Data

ARGUS Series	Model Number	Compressor		Connections (inch)		Pump Down Capacity* (lbs) 90% @ 90°F Ambient / R-404A		Net Weight (lbs)
		Model Number	HP	Liquid	Suction	Standard	Oversized	
R-404A	AS*S9524ZNA***	VSC9526XNA	3	1/2" S	7/8" S	34.38	45.50	347
	AS*S9524ZFA***	VSC9526XMA	3	1/2" S	7/8" S	34.38	45.50	347
R-448A	AS*S9532ZNA***	VSC9530XNA	4	1/2" S	1-1/8" S	34.38	45.50	347
R-449A	AS*S9532ZFA***	VSC9530XMA	4	1/2" S	1-1/8" S	34.38	45.50	347
R-452A	AS*S9540ZNA***	VSC9538XNA	5	1/2" S	1-1/8" S	34.38	45.50	347
	AS*S9540ZFA***	VSC9538XMA	5	1/2" S	1-1/8" S	34.38	45.50	347
	AS*S9548ZFA***	VSC9545XXT	6	1/2" S	1-1/8" S	34.38	45.50	347

*Receiver + Coil Capacity

Electrical Data

Model Number	Power Supply	Compressor		Condensing Unit		Fan Motor (PSC)		
	Volts/Hz/Ph	RLA	LRA	MCA*	MOPD	Qty	HP	FLA
AS*S9524ZNA***	208-230/60/1	21	115	28.7	45	1	1/3	2.2
AS*S9524ZFA***	208-230/60/3	14.1	95	20.1	30	1	1/3	2.2
AS*S9532ZNA***	208-230/60/1	24.4	150	32.9	50	1	1/3	2.2
AS*S9532ZFA***	208-230/60/3	16.7	120	23.3	40	1	1/3	2.2
AS*S9540ZNA***	208-230/60/1	28.9	160	38.6	60	1	1/3	2.2
AS*S9540ZFA***	208-230/60/3	16.7	125	23.4	40	1	1/3	2.2
AS*S9548ZFA***	200-230/60/3	19.2	170	26.5	45	1	1/3	2.2

*Add .21 Amps for Heated Receiver

DOE AWEF (AHRI 1250)

AWEF Table	Model Number	Indoor	Outdoor
R-404A	AS*S9524Z****	5.72	8.20
	AS*S9532Z****	6.40	9.19
	AS*S9540Z****	6.20	8.95
	AS*S9548Z****	6.16	8.65
R-449A / R-448A	AS*S9524Z****	5.70	8.21
	AS*S9532Z****	5.76	9.01
	AS*S9540Z****	6.08	8.46
R-452A	AS*S9548Z****	5.80	8.65
	AS*S9524Z****	5.70	8.21
	AS*S9532Z****	5.76	9.01
	AS*S9540Z****	6.00	8.74
	AS*S9548Z****	5.80	8.37

3 to 6 HP Medium Temperature Platform (Microchannel)

Performance Tables (R-404A)

80°F AMBIENT						
Model Number	Suction Temperature (SST)					
	30°F	25°F	20°F	10°F	0°F	-10°F
AS*S9524Z*****	41,589	37,959	36,369	29,371	23,063	17,413
AS*S9532Z*****	48,800	44,687	43,024	35,321	28,580	22,767
AS*S9540Z*****	58,403	50,256	48,451	39,869	32,301	25,715
AS*S9548Z*****	64,442	59,344	57,463	47,711	39,005	31,305

90°F AMBIENT						
Model Number	Suction Temperature (SST)					
	30°F	25°F	20°F	10°F	0°F	-10°F
AS*S9524Z*****	38,225	34,846	33,352	26,895	21,121	16,002
AS*S9532Z*****	44,584	40,738	39,140	32,013	25,839	20,590
AS*S9540Z*****	50,462	46,235	44,549	36,655	29,768	23,858
AS*S9548Z*****	60,056	55,071	53,075	43,576	35,119	27,664

95°F AMBIENT						
Model Number	Suction Temperature (SST)					
	30°F	25°F	20°F	10°F	0°F	-10°F
AS*S9524Z*****	36,543	33,290	31,842	25,657	20,150	15,296
AS*S9532Z*****	42,477	38,764	37,198	30,357	24,468	19,501
AS*S9540Z*****	48,292	44,225	42,597	35,058	28,502	22,930
AS*S9548Z*****	57,862	52,935	50,880	41,509	33,176	25,844

100°F AMBIENT						
Model Number	Suction Temperature (SST)					
	30°F	25°F	20°F	10°F	0°F	-10°F
AS*S9524Z*****	34,861	31,734	30,333	24,418	19,179	14,592
AS*S9532Z*****	40,369	36,790	35,256	28,703	23,097	18,412
AS*S9540Z*****	46,121	42,215	40,645	33,441	27,235	22,001
AS*S9548Z*****	55,669	50,798	48,686	39,442	31,233	24,023

110°F AMBIENT						
Model Number	Suction Temperature (SST)					
	30°F	25°F	20°F	10°F	0°F	-10°F
AS*S9524Z*****	31,496	28,622	27,316	21,942	17,238	—
AS*S9532Z*****	36,154	32,841	31,372	25,394	20,357	16,235
AS*S9540Z*****	41,781	38,195	36,743	30,227	24,703	20,145
AS*S9548Z*****	51,283	46,525	44,298	35,307	27,348	—

*All capacity data is at dew point conditions

*Return gas 40°F below 20°F Evaporator and 65°F above 20°F evaporator, Sub Cooling 5°F

*Medium temperature evaporating temperature range is from -10°F to +45°F

Performance Tables (R-448A / R-449A)

80°F AMBIENT						
Model Number	Suction Temperature (SST)					
	30°F	25°F	20°F	10°F	0°F	-10°F
AS*S9524Z*****	36,691	32,994	31,084	24,642	19,373	15,253
AS*S9532Z*****	42,800	38,400	36,700	29,650	23,350	17,800
AS*S9540Z*****	51,165	46,545	44,286	35,498	27,604	20,577
AS*S9548Z*****	57,959	52,316	49,527	39,819	32,002	26,041

90°F AMBIENT						
Model Number	Suction Temperature (SST)					
	30°F	25°F	20°F	10°F	0°F	-10°F
AS*S9524Z*****	34,222	30,698	28,852	22,781	17,878	14,123
AS*S9532Z*****	39,900	36,100	34,300	27,600	21,550	16,200
AS*S9540Z*****	47,747	43,397	41,259	33,046	25,723	19,262
AS*S9548Z*****	54,256	48,889	46,214	37,093	29,859	24,476

95°F AMBIENT						
Model Number	Suction Temperature (SST)					
	30°F	25°F	20°F	10°F	0°F	-10°F
AS*S9524Z*****	32,988	29,550	27,736	21,850	17,130	—
AS*S9532Z*****	38,450	34,700	33,000	26,500	20,700	15,700
AS*S9540Z*****	46,038	41,823	39,746	31,820	24,781	—
AS*S9548Z*****	52,405	47,176	44,557	35,730	28,787	—

100°F AMBIENT						
Model Number	Suction Temperature (SST)					
	30°F	25°F	20°F	10°F	0°F	-10°F
AS*S9524Z*****	31,753	28,402	26,620	20,919	16,382	—
AS*S9532Z*****	36,900	33,550	31,700	25,400	19,800	15,000
AS*S9540Z*****	44,329	40,249	38,233	30,595	23,841	—
AS*S9548Z*****	50,554	45,463	42,900	34,367	27,715	—

110°F AMBIENT						
Model Number	Suction Temperature (SST)					
	30°F	25°F	20°F	10°F	0°F	-10°F
AS*S9524Z*****	29,284	26,106	24,389	19,056	—	—
AS*S9532Z*****	34,300	30,900	29,000	23,100	17,850	—
AS*S9540Z*****	40,911	37,101	32,070	28,143	—	—
AS*S9548Z*****	46,852	42,036	39,586	31,641	—	—

Performance Tables (R-452A)

80°F AMBIENT						
Model Number	Suction Temperature (SST)					
	30°F	25°F	20°F	10°F	0°F	-10°F
AS*S9524Z*****	38,848	35,440	33,909	27,488	21,806	16,840
AS*S9532Z*****	44,400	40,750	38,900	32,100	25,100	19,250
AS*S9540Z*****	52,601	47,926	45,817	37,147	29,597	23,136
AS*S9548Z*****	60,999	55,665	53,319	43,455	34,896	27,602

90°F AMBIENT						
Model Number	Suction Temperature (SST)					
	30°F	25°F	20°F	10°F	0°F	-10°F
AS*S9524Z*****	35,891	32,665	31,179	25,149	19,854	15,271
AS*S9532Z*****	41,150	37,650	36,150	29,630	23,300	17,750
AS*S9540Z*****	48,928	44,522	42,516	34,422	27,444	21,550
AS*S9548Z*****	56,453	51,442	49,209	40,035	32,159	25,544

95°F AMBIENT						
Model Number	Suction Temperature (SST)					
	30°F	25°F	20°F	10°F	0°F	-10°F
AS*S9524Z*****	34,412	31,277	29,813	23,979	18,878	14,488
AS*S9532Z*****	39,750	36,200	34,830	28,300	22,450	16,950
AS*S9540Z*****	47,091	42,820	40,865	33,060	26,368	20,758
AS*S9548Z*****	54,181	49,330	47,155	38,327	30,792	24,515

100°F AMBIENT						
Model Number	Suction Temperature (SST)					
	30°F	25°F	20°F	10°F	0°F	-10°F
AS*S9524Z*****	32,934	29,890	28,448	22,809	17,902	13,704
AS*S9532Z*****	37,970	34,850	33,350	27,000	21,350	16,250
AS*S9540Z*****	45,254	41,118	39,215	31,698	25,291	19,965
AS*S9548Z*****	51,908	47,218	45,100	36,617	29,423	23,486

110°F AMBIENT						
Model Number	Suction Temperature (SST)					
	30°F	25°F	20°F	10°F	0°F	-10°F
AS*S9524Z*****	29,977	27,115	25,716	20,470	15,950	—
AS*S9532Z*****	34,900	31,850	30,450	24,650	19,300	—
AS*S9540Z*****	41,581	37,714	35,912	28,973	23,138	—
AS*S9548Z*****	47,362	42,995	40,991	33,198	26,687	—