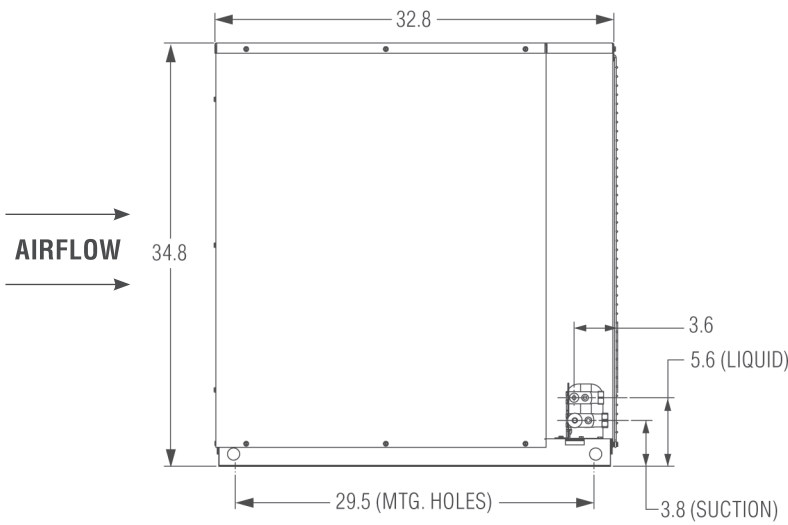
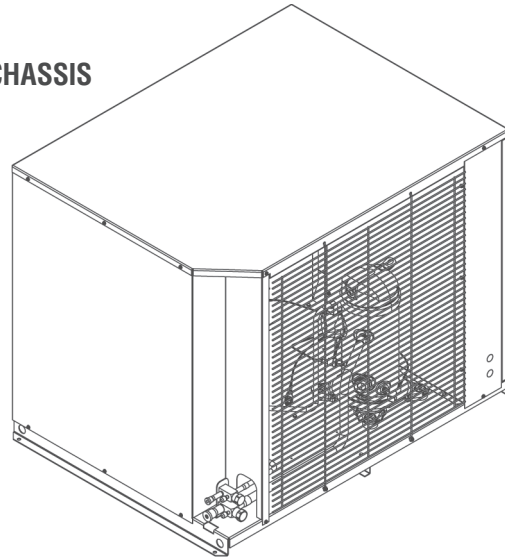


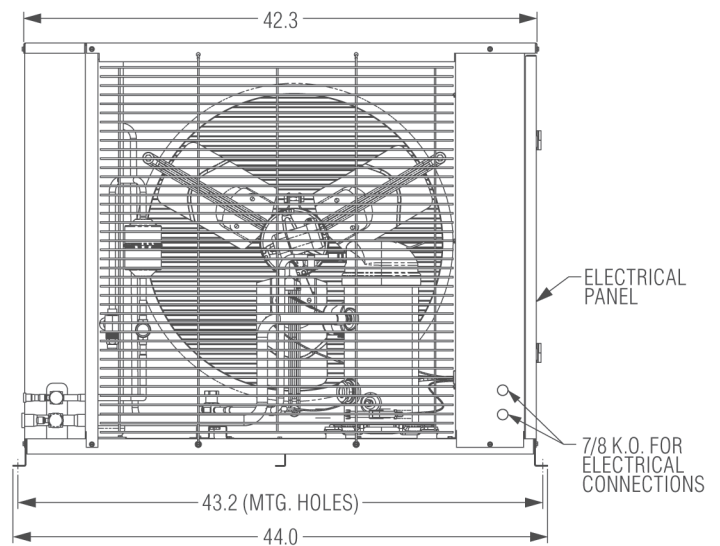
## 4 to 6 HP Low Temperature Platform (Tube Fin)

Project Name:	
Customer Name:	
Model Number:	
Refrigerant:	
Job Location:	
Date:	
AWEF:	

LARGE CHASSIS



SIDE VIEW



FRONT VIEW

### Physical Data – Scroll

ARGUS Series	Model Number	Compressor		Connections (inch)		Pump Down Capacity* (lbs) 90% @ 90°F Ambient / R-404A		Net Weight (lbs)
		Model Number	HP	Liquid	Suction	Standard	Oversized	
R-404A	AS*S2520ZNA***	VS2519Z-NA9A	5	1/2" S	1-1/8" S	40.65	51.77	347
R-448A R-449A	AS*S2520ZFA***	VS2519Z-FA1A	5	1/2" S	1-1/8" S	40.65	51.77	347
R-452A	AS*S2524ZFA***	VS2522Z-FA1A	6	1/2" S	1-1/8" S	40.65	51.77	347

\*Receiver + Coil Capacity

### DOE AWEF (AHRI 1250)

AWEF Table	Model Number	Indoor	Outdoor
R-404A	AS*S2520Z*****	2.64	3.45
	AS*S2524Z*****	2.74	3.57
R-449A / R-448A	AS*S2520Z*****	2.58	3.20
	AS*S2524Z*****	2.59	3.38
R-452A	AS*S2520Z*****	2.48	3.29
	AS*S2524Z*****	2.52	3.38

### Electrical Data – Scroll

Model Number	Power Supply	Compressor		Condensing Unit		Fan Motor (PSC)		
	Volts/Hz/Ph	RLA	LRA	MCA*	MOPD	Qty	HP	FLA
AS*S2520ZNA***	208-230/60/1	25.5	140	34.4	50	1	1/3	2.2
AS*S2520ZFA***	208-230/60/3	15.7	136	22.1	35	1	1/3	2.2
AS*S2524ZFA***	208-230/60/3	19.2	167	26.5	45	1	1/3	2.2

\*Add .21 Amps for Heated Receiver

## 4 to 6 HP Low Temperature Platform (Tube Fin)

### Performance Tables (R-404A)

80°F AMBIENT						
Model Number	Suction Temperature (SST)					
	-30°F	-25°F	-20°F	-10°F	0°F	10°F
AS*S2520Z*****	15,258	17,292	19,516	24,535	30,317	36,860
AS*S2524Z*****	17,386	19,890	22,566	28,427	34,970	42,194

90°F AMBIENT						
Model Number	Suction Temperature (SST)					
	-30°F	-25°F	-20°F	-10°F	0°F	10°F
AS*S2520Z*****	13,935	15,738	17,731	22,288	27,607	33,688
AS*S2524Z*****	16,034	18,248	20,632	25,911	31,872	38,513

95°F AMBIENT						
Model Number	Suction Temperature (SST)					
	-30°F	-25°F	-20°F	-10°F	0°F	10°F
AS*S2520Z*****	13,274	14,961	16,838	21,164	26,252	32,102
AS*S2524Z*****	15,358	17,426	19,665	24,653	30,322	36,673

100°F AMBIENT						
Model Number	Suction Temperature (SST)					
	-30°F	-25°F	-20°F	-10°F	0°F	10°F
AS*S2520Z*****	12,612	14,184	15,946	20,041	24,898	30,516
AS*S2524Z*****	14,682	16,605	18,698	23,395	28,773	34,833

110°F AMBIENT						
Model Number	Suction Temperature (SST)					
	-30°F	-25°F	-20°F	-10°F	0°F	10°F
AS*S2520Z*****	11,290	12,630	14,161	17,793	22,188	27,344
AS*S2524Z*****	13,330	14,962	16,764	20,879	25,675	31,152

\*Return gas 40°F evaporator, Sub Cooling 5°F

### Performance Tables (R-448A / R-449A)

80°F AMBIENT						
Model Number	Suction Temperature (SST)					
	-30°F	-25°F	-20°F	-10°F	0°F	10°F
AS*S2520Z*****	12,831	14,669	16,613	20,822	25,457	30,519
AS*S2524Z*****	14,575	16,616	18,864	23,979	29,922	36,692

90°F AMBIENT						
Model Number	Suction Temperature (SST)					
	-30°F	-25°F	-20°F	-10°F	0°F	10°F
AS*S2520Z*****	12,029	13,741	15,559	19,516	23,898	28,708
AS*S2524Z*****	13,723	15,605	17,694	22,493	28,119	34,573

95°F AMBIENT						
Model Number	Suction Temperature (SST)					
	-30°F	-25°F	-20°F	-10°F	0°F	10°F
AS*S2520Z*****	11,629	13,277	15,032	18,862	23,119	27,802
AS*S2524Z*****	13,296	15,100	17,110	21,750	27,218	33,513

100°F AMBIENT						
Model Number	Suction Temperature (SST)					
	-30°F	-25°F	-20°F	-10°F	0°F	10°F
AS*S2520Z*****	11,228	12,813	14,505	18,209	22,340	26,897
AS*S2524Z*****	12,870	14,594	16,525	21,007	26,317	32,454

110°F AMBIENT						
Model Number	Suction Temperature (SST)					
	-30°F	-25°F	-20°F	-10°F	0°F	10°F
AS*S2520Z*****	10,426	11,885	13,451	16,903	20,781	25,086
AS*S2524Z*****	12,017	13,583	15,356	19,521	24,514	30,335

### Performance Tables (R-452A)

80°F AMBIENT						
Model Number	Suction Temperature (SST)					
	-30°F	-25°F	-20°F	-10°F	0°F	10°F
AS*S2520Z*****	13,952	15,866	17,970	22,749	28,290	34,592
AS*S2524Z*****	14,749	17,141	19,716	25,416	31,849	39,014

90°F AMBIENT						
Model Number	Suction Temperature (SST)					
	-30°F	-25°F	-20°F	-10°F	0°F	10°F
AS*S2520Z*****	12,795	14,503	16,400	20,767	25,896	31,786
AS*S2524Z*****	13,658	15,850	18,225	23,526	29,559	36,325

95°F AMBIENT						
Model Number	Suction Temperature (SST)					
	-30°F	-25°F	-20°F	-10°F	0°F	10°F
AS*S2520Z*****	12,217	13,821	15,616	19,776	24,699	30,382
AS*S2524Z*****	13,113	15,205	17,480	22,580	28,414	34,980

100°F AMBIENT						
Model Number	Suction Temperature (SST)					
	-30°F	-25°F	-20°F	-10°F	0°F	10°F
AS*S2520Z*****	11,639	13,140	14,831	18,786	23,501	28,979
AS*S2524Z*****	12,567	14,559	16,735	21,635	27,269	33,635

110°F AMBIENT						
Model Number	Suction Temperature (SST)					
	-30°F	-25°F	-20°F	-10°F	0°F	10°F
AS*S2520Z*****	10,482	11,777	13,262	16,804	21,107	26,172
AS*S2524Z*****	11,476	13,268	15,244	19,745	24,979	30,945