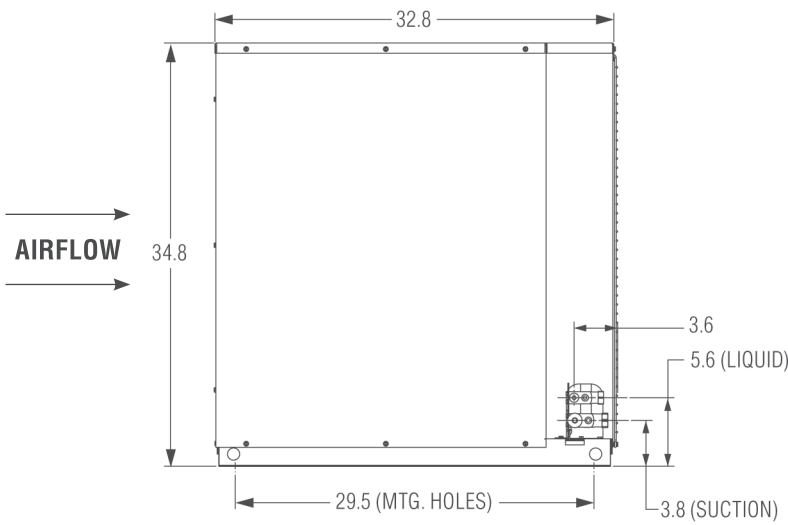
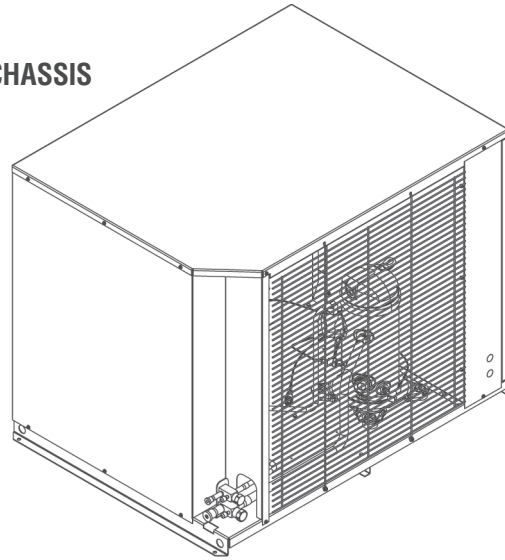


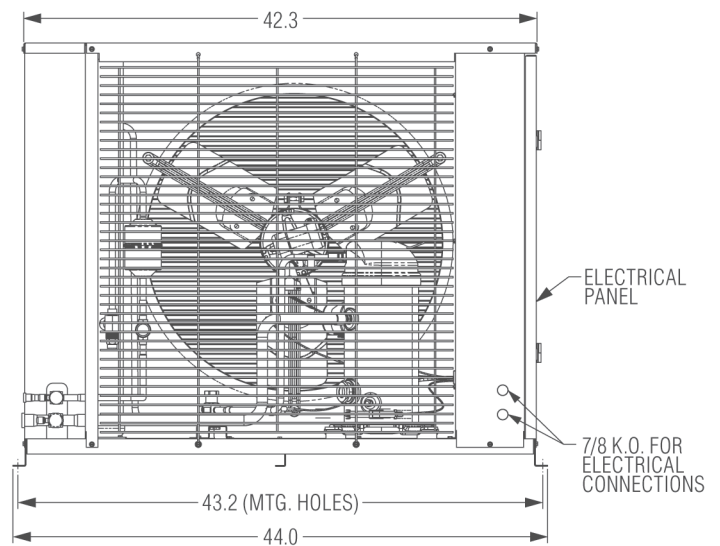
4 to 6 HP Low Temperature Platform (Microchannel)

Project Name:	
Customer Name:	
Model Number:	
Refrigerant:	
Job Location:	
Date:	
AWEF:	

LARGE CHASSIS



SIDE VIEW



FRONT VIEW

Physical Data – Scroll

ARGUS Series	Model Number	Compressor		Connections (inch)		Pump Down Capacity* (lbs) 90% @ 90°F Ambient / R-404A		Net Weight (lbs)
		Model Number	HP	Liquid	Suction	Standard	Oversized	
R-404A	AS*S2520ZNA***	VS2519Z-NA9A	5	1/2" S	1-1/8" S	34.38	45.50	347
R-448A R-449A	AS*S2520ZFA***	VS2519Z-FA1A	5	1/2" S	1-1/8" S	34.38	45.50	347
R-452A	AS*S2524ZFA***	VS2522Z-FA1A	6	1/2" S	1-1/8" S	34.38	45.50	347

*Receiver + Coil Capacity

DOE AWEF (AHRI 1250)

AWEF Table	Model Number	Indoor	Outdoor
R-404A	AS*S2520Z*****	2.55	3.39
	AS*S2524Z*****	2.79	3.66
R-449A / R-448A	AS*S2520Z*****	2.47	3.24
	AS*S2524Z*****	2.58	3.32
R-452A	AS*S2520Z*****	2.48	3.25
	AS*S2524Z*****	2.59	3.37

Electrical Data – Scroll

Model Number	Power Supply	Compressor		Condensing Unit		Fan Motor (PSC)		
	Volts/Hz/Ph	RLA	LRA	MCA*	MOPD	Qty	HP	FLA
AS*S2520ZNA***	208-230/60/1	25.5	140	34.4	50	1	1/3	2.2
AS*S2520ZFA***	208-230/60/3	15.7	136	22.1	35	1	1/3	2.2
AS*S2524ZFA***	208-230/60/3	19.2	167	26.5	45	1	1/3	2.2

*Add .21 Amps for Heated Receiver

4 to 6 HP Low Temperature Platform (Microchannel)

Performance Tables (R-404A)

80°F AMBIENT						
Model Number	Suction Temperature (SST)					
	-30°F	-25°F	-20°F	-10°F	0°F	10°F
AS*S2520Z*****	15,212	17,240	19,457	24,461	30,226	36,749
AS*S2524Z*****	17,542	20,069	22,769	28,683	35,285	42,574

90°F AMBIENT						
Model Number	Suction Temperature (SST)					
	-30°F	-25°F	-20°F	-10°F	0°F	10°F
AS*S2520Z*****	13,893	15,691	17,678	22,221	27,524	33,587
AS*S2524Z*****	16,178	18,412	20,818	26,144	32,159	38,860

95°F AMBIENT						
Model Number	Suction Temperature (SST)					
	-30°F	-25°F	-20°F	-10°F	0°F	10°F
AS*S2520Z*****	13,234	14,916	16,787	21,101	26,173	32,006
AS*S2524Z*****	15,496	17,583	19,842	24,875	30,595	37,003

100°F AMBIENT						
Model Number	Suction Temperature (SST)					
	-30°F	-25°F	-20°F	-10°F	0°F	10°F
AS*S2520Z*****	12,574	14,141	15,898	19,981	24,823	30,424
AS*S2524Z*****	14,814	16,754	18,866	23,606	29,032	35,146

110°F AMBIENT						
Model Number	Suction Temperature (SST)					
	-30°F	-25°F	-20°F	-10°F	0°F	10°F
AS*S2520Z*****	11,256	12,592	14,119	17,740	22,121	27,262
AS*S2524Z*****	13,450	15,097	16,915	21,067	25,906	31,432

*Return gas 40°F evaporator, Sub Cooling 5°F

Performance Tables (R-448A / R-449A)

80°F AMBIENT						
Model Number	Suction Temperature (SST)					
	-30°F	-25°F	-20°F	-10°F	0°F	10°F
AS*S2520Z*****	12,921	14,772	16,729	20,968	25,635	30,733
AS*S2524Z*****	14,794	16,865	19,147	24,339	30,371	37,242

90°F AMBIENT						
Model Number	Suction Temperature (SST)					
	-30°F	-25°F	-20°F	-10°F	0°F	10°F
AS*S2520Z*****	12,113	13,837	15,668	19,653	24,065	28,909
AS*S2524Z*****	13,929	15,839	17,959	22,830	28,541	35,092

95°F AMBIENT						
Model Number	Suction Temperature (SST)					
	-30°F	-25°F	-20°F	-10°F	0°F	10°F
AS*S2520Z*****	11,710	13,370	15,137	18,994	23,281	27,997
AS*S2524Z*****	13,495	15,327	17,367	22,076	27,626	34,016

100°F AMBIENT						
Model Number	Suction Temperature (SST)					
	-30°F	-25°F	-20°F	-10°F	0°F	10°F
AS*S2520Z*****	11,307	12,903	14,607	18,336	22,496	27,085
AS*S2524Z*****	13,063	14,813	16,773	21,322	26,712	32,941

110°F AMBIENT						
Model Number	Suction Temperature (SST)					
	-30°F	-25°F	-20°F	-10°F	0°F	10°F
AS*S2520Z*****	10,499	11,968	13,545	17,021	20,926	25,262
AS*S2524Z*****	12,197	13,787	15,586	19,814	24,882	30,790

Performance Tables (R-452A)

80°F AMBIENT						
Model Number	Suction Temperature (SST)					
	-30°F	-25°F	-20°F	-10°F	0°F	10°F
AS*S2520Z*****	14,078	16,009	18,132	22,954	28,545	34,903
AS*S2524Z*****	14,882	17,295	19,893	25,645	32,136	39,365

90°F AMBIENT						
Model Number	Suction Temperature (SST)					
	-30°F	-25°F	-20°F	-10°F	0°F	10°F
AS*S2520Z*****	12,910	14,634	16,548	20,954	26,129	32,072
AS*S2524Z*****	13,781	15,993	18,389	23,738	29,825	36,652

95°F AMBIENT						
Model Number	Suction Temperature (SST)					
	-30°F	-25°F	-20°F	-10°F	0°F	10°F
AS*S2520Z*****	12,327	13,945	15,757	19,954	24,921	30,655
AS*S2524Z*****	13,231	15,342	17,637	22,783	28,670	35,295

100°F AMBIENT						
Model Number	Suction Temperature (SST)					
	-30°F	-25°F	-20°F	-10°F	0°F	10°F
AS*S2520Z*****	11,744	13,258	14,964	18,955	23,713	29,240
AS*S2524Z*****	12,680	14,690	16,886	21,830	27,514	33,938

110°F AMBIENT						
Model Number	Suction Temperature (SST)					
	-30°F	-25°F	-20°F	-10°F	0°F	10°F
AS*S2520Z*****	10,576	11,883	13,381	16,955	21,297	26,408
AS*S2524Z*****	11,579	13,387	15,381	19,923	25,204	31,224