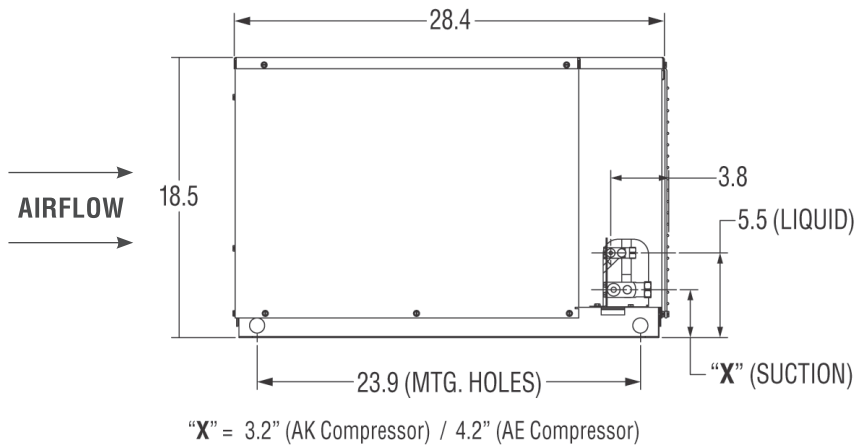
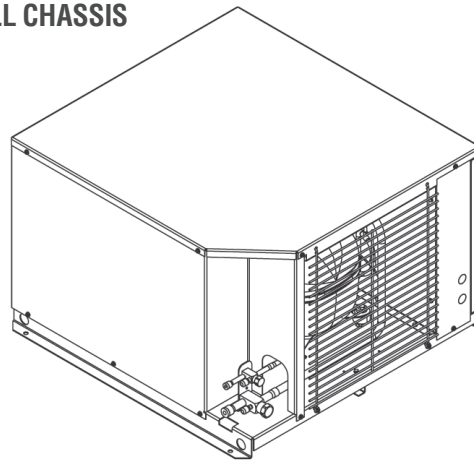


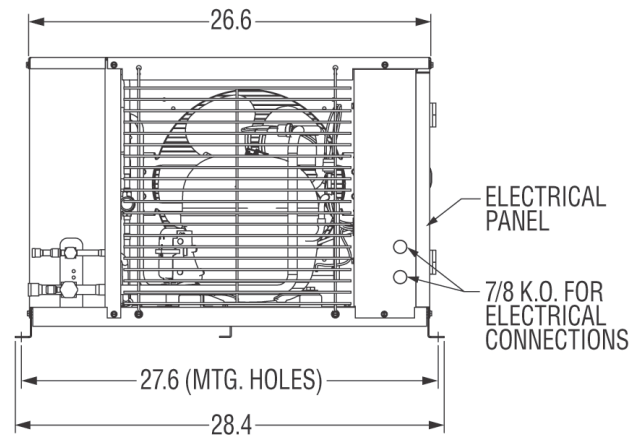
1/2 to 1-1/2 HP Low Temperature Platform (Tube Fin)

Project Name:	
Customer Name:	
Model Number:	
Refrigerant:	
Job Location:	
Date:	
AWEF:	

SMALL CHASSIS



SIDE VIEW



FRONT VIEW

Physical Data

ARGUS Series	Model Number	Compressor		Connections (inch)		Pump Down Capacity* (lbs) 90% @ 90°F Ambient / R-404A		Net Weight (lbs)
		Model Number	HP	Liquid	Suction	Standard	Oversized	
R-404A R-448A/ R-449A R-452A	AS*R2430ZNA***	AK2430Z-NA3C	3/4	3/8" S	5/8" S	9.48	16.64	159
	AS*R2440ZNA***	AK2463Z-NA3C	1	3/8" S	5/8" S	9.48	16.64	159
	AS*R2450ZNA***	AK2448Z-NA3C	1-1/4	3/8" S	5/8" S	9.48	16.64	159
	AS*R2460ZNA***	AWA2450ZXD	1-1/2	3/8" S	5/8" S	9.48	16.64	196
	AS*R2460ZFA***	AWA2450ZXT	1-1/2	3/8" S	5/8" S	9.48	16.64	196

*Receiver + Coil Capacity

DOE AWEF (AHRI 1250)

AWEF Table	Model Number	Indoor	Outdoor
R-404A	AS*R2430Z*****	2.49	3.30
	AS*R2440Z*****	2.50	3.30
	AS*R2450Z*****	2.49	3.30
	AS*R2460Z*****	2.30	3.16
R448A/ R449A	AS*R2430Z*****	2.35	3.20
	AS*R2440Z*****	2.45	3.10
	AS*R2460Z*****	2.17	3.04
R-452A	AS*R2430Z*****	2.32	3.2
	AS*R2440Z*****	2.32	3.1
	AS*R2450Z*****	2.31	3.13
	AS*R2460Z*****	2.10	3.03

Electrical Data

Model Number	Power Supply	Compressor		Condensing Unit		Fan Motor (PSC)			Fan Motor (EC)		
	Volts/Hz/Ph	RLA	LRA	MCA*	MOPD	Qty	HP	FLA	Qty	HP	FLA
AS*R2430ZNA***	208-230/60/1	3.7	22.0	5.3	15	1	1/20	0.45	1	1/20	0.5
AS*R2440ZNA***	208-230/60/1	4.2	29.7	5.9	15	1	1/20	0.45	1	1/20	0.5
AS*R2450ZNA***	208-230/60/1	5.9	32.4	8.0	15	1	1/20	0.45	1	1/20	0.5
AS*R2460ZNA***	208-230/60/1	9.4	56.0	12.4	20	1	1/20	0.45	1	1/20	0.5
AS*R2460ZFA***	208-230/60/3	5.8	40.5	8.0	15	1	1/20	0.45	1	1/20	0.5

*Add .21 Amps for Heated Receiver

1/2 to 1-1/2 HP Low Temperature Platform (Tube Fin)

Performance Tables (R-404A)

80°F AMBIENT						
Model Number	Suction Temperature (SST)					
	-30°F	-25°F	-20°F	-10°F	0°F	10°F
AS*R2430Z*****	1,926	2,349	2,794	3,750	4,795	5,528
AS*R2440Z*****	2,209	2,704	3,190	4,134	5,043	5,715
AS*R2450Z*****	3,300	3,790	4,215	5,010	6,875	7,950
AS*R2460Z*****	3,589	4,496	5,438	7,423	9,544	11,801

90°F AMBIENT						
Model Number	Suction Temperature (SST)					
	-30°F	-25°F	-20°F	-10°F	0°F	10°F
AS*R2430Z*****	1,528	1,921	2,190	3,080	4,215	5,287
AS*R2440Z*****	1,873	2,352	2,821	3,733	4,610	5,450
AS*R2450Z*****	2,950	3,210	3,460	4,650	6,155	7,100
AS*R2460Z*****	3,009	3,821	4,667	6,462	8,392	10,459

95°F AMBIENT						
Model Number	Suction Temperature (SST)					
	-30°F	-25°F	-20°F	-10°F	0°F	10°F
AS*R2430Z*****	1,330	1,707	2,060	2,870	3,925	4,966
AS*R2440Z*****	1,705	2,176	2,637	3,533	4,393	5,217
AS*R2450Z*****	2,760	3,010	3,275	4,400	5,810	6,715
AS*R2460Z*****	2,795	3,483	4,450	6,050	7,816	9,788

100°F AMBIENT						
Model Number	Suction Temperature (SST)					
	-30°F	-25°F	-20°F	-10°F	0°F	10°F
AS*R2430Z*****	1,131	1,493	1,877	2,712	3,634	4,646
AS*R2440Z*****	1,537	1,999	2,453	3,333	4,177	4,985
AS*R2450Z*****	2,520	2,805	3,115	4,250	5,510	6,350
AS*R2460Z*****	2,559	3,146	3,897	5,501	7,241	9,117

110°F AMBIENT						
Model Number	Suction Temperature (SST)					
	-30°F	-25°F	-20°F	-10°F	0°F	10°F
AS*R2430Z*****	734	1,065	1,419	2,192	3,054	4,005
AS*R2440Z*****	1,201	1,647	2,084	2,932	3,743	4,519
AS*R2450Z*****	2,250	2,690	3,040	4,010	4,800	5,590
AS*R2460Z*****	2,269	2,770	3,126	4,540	6,089	7,775

Performance Tables (R-448A / R-449A)

80°F AMBIENT						
Model Number	Suction Temperature (SST)					
	-30°F	-25°F	-20°F	-10°F	0°F	10°F
AS*R2430Z*****	1,447	1,821	2,210	3,036	3,925	4,877
AS*R2440Z*****	1,619	1,967	2,364	3,306	4,445	5,781
AS*R2450Z*****	2,183	2,636	3,125	4,278	5,634	7,200
AS*R2460Z*****	2,783	3,541	4,365	6,211	8,321	10,695

90°F AMBIENT						
Model Number	Suction Temperature (SST)					
	-30°F	-25°F	-20°F	-10°F	0°F	10°F
AS*R2430Z*****	1,142	1,511	1,895	2,712	3,591	4,533
AS*R2440Z*****	1,371	1,680	2,037	2,900	3,960	5,216
AS*R2450Z*****	1,957	2,348	2,721	3,754	5,082	6,536
AS*R2460Z*****	2,131	2,844	3,623	5,378	7,397	9,680

95°F AMBIENT						
Model Number	Suction Temperature (SST)					
	-30°F	-25°F	-20°F	-10°F	0°F	10°F
AS*R2430Z*****	990	1,356	1,738	2,550	3,424	4,362
AS*R2440Z*****	1,247	1,536	1,874	2,697	3,717	4,934
AS*R2450Z*****	1,856	2,224	2,644	3,568	4,813	6,226
AS*R2460Z*****	1,987	2,496	3,252	4,962	6,935	9,173

100°F AMBIENT						
Model Number	Suction Temperature (SST)					
	-30°F	-25°F	-20°F	-10°F	0°F	10°F
AS*R2430Z*****	837	1,201	1,581	2,388	3,257	4,190
AS*R2440Z*****	1,124	1,392	1,710	2,494	3,474	4,652
AS*R2450Z*****	1,747	2,092	2,482	3,405	4,548	5,886
AS*R2460Z*****	1,776	2,147	2,881	4,545	6,474	8,666

110°F AMBIENT						
Model Number	Suction Temperature (SST)					
	-30°F	-25°F	-20°F	-10°F	0°F	10°F
AS*R2430Z*****	532	892	1,267	2,064	2,924	3,847
AS*R2440Z*****	876	1,116	1,438	2,172	3,109	4,250
AS*R2450Z*****	1,538	1,812	2,158	2,991	3,991	5,231
AS*R2460Z*****	1,573	1,813	2,459	3,712	4,662	7,651

Performance Tables (R-452A)

80°F AMBIENT						
Model Number	Suction Temperature (SST)					
	-30°F	-25°F	-20°F	-10°F	0°F	10°F
AS*R2430Z*****	1,678	2,140	2,601	3,523	4,443	5,362
AS*R2440Z*****	1,690	2,170	2,625	3,550	4,480	5,390
AS*R2450Z*****	2,900	3,335	3,800	4,900	6,190	7,675
AS*R2460Z*****	3,211	3,887	4,648	6,419	8,525	10,964

90°F AMBIENT						
Model Number	Suction Temperature (SST)					
	-30°F	-25°F	-20°F	-10°F	0°F	10°F
AS*R2430Z*****	1,337	1,766	2,094	2,950	3,905	4,759
AS*R2440Z*****	1,385	1,790	2,220	3,080	3,945	4,900
AS*R2450Z*****	2,530	2,915	3,265	4,276	5,575	6,975
AS*R2460Z*****	2,516	3,126	3,818	5,454	7,424	9,728

95°F AMBIENT						
Model Number	Suction Temperature (SST)					
	-30°F	-25°F	-20°F	-10°F	0°F	10°F
AS*R2430Z*****	1,166	1,578	1,891	2,714	3,637	4,458
AS*R2440Z*****	1,200	1,590	2,000	2,850	3,665	4,610
AS*R2450Z*****	2,360	2,730	3,150	4,050	5,275	6,650
AS*R2460Z*****	2,369	2,745	3,404	4,972	6,874	9,110

100°F AMBIENT						
Model Number	Suction Temperature (SST)					
	-30°F	-25°F	-20°F	-10°F	0°F	10°F
AS*R2430Z*****	995	1,391	1,787	2,578	3,368	4,156
AS*R2440Z*****	1,090	1,420	1,795	2,595	3,415	4,200
AS*R2450Z*****	2,180	2,535	2,930	3,850	4,980	6,290
AS*R2460Z*****	2,222	2,564	2,989	4,489	6,324	8,492

110°F AMBIENT						
Model Number	Suction Temperature (SST)					
	-30°F	-25°F	-20°F	-10°F	0°F	10°F
AS*R2430Z*****	653	1,017	1,380	2,106	2,831	3,554
AS*R2440Z*****	750	1,050	1,410	2,140	2,900	3,775
AS*R2450Z*****	1,830	2,125	2,490	3,350	4,360	5,600
AS*R2460Z*****	1,928	2,202	2,559	3,524	5,223	7,257

*Return gas 40°F evaporator, Sub Cooling 5°F