



Tecumseh

VTCX

VTCX Compressors. Intelligent cooling.

KEY FEATURES AND BENEFITS

- ▶ Variable speed
- ▶ L/MBP applications
- ▶ Efficient
- ▶ R290

▶ **Reduce energy consumption:**

Dynamically matches the capacity of the compressor to the system's cooling demand.

▶ **Compact size:**

Delivers the same capacity as a larger displacement, single-speed compressor, making more room for refrigerated goods.

▶ **Eco-friendly:**

Optimized for use with eco-friendly hydrocarbon refrigerant R290 (propane).

▶ **Global voltage stabilization:**

Electronic controller handles voltage inputs from 85 to 260 VAC and, both 50 and 60 Hz. Under/over voltage protection is built-in.

▶ **Temperature control:**

High speed compressor operation is used for fast pull-down while low speed operation is used to maintain cabinet temperature with minimal energy consumption.



APPLICATIONS

Some of these applications are listed below:

- ▶ Ice cream machines
- ▶ LT & MT reach-in
- ▶ Beverage cooler
- ▶ LT & MT display case
- ▶ Wine cooler





VTCX

VTCX Compressors. Intelligent cooling.

COMPRESSOR INFORMATION

Capacity range*:

- ▶ LBP: from 72 to 476 Watts
- ▶ MBP: from 207 to 1312 Watts

Refrigerant:

- ▶ R290 (propane)

Application(s):

- ▶ Low/Medium temperature:
-35°C to -5°C

*EN12900 - LOW TEMP: performance rated at -35°C evap., 40°C cond., 32°C ambient, 20°C suction gaz, 0K subcooling.
EN12900 - MEDIUM TEMP: performance rated at -10°C evap., 45°C cond., 32°C ambient, 20°C suction gaz, 0K subcooling.

VTC Series Compressor

VTC SERIES COMPRESSOR NOMENCLATURE

VTCX330U

VTC

Compressor Family

VTC

X

Application

Evaporation Temperature	Rating Point	Motor Starting Torque
X - L/MBP	-23.3°C -6.7°C	High

3

Digit Number

Number of digits composing the cooling capacity

30

Cooling Capacity

Corresponding to the first two figures of the cooling capacity expressed in Btu/h.
In this example 30 total digits, with cooling capacity 30 means 300 Btu/h.

U

Refrigerant

U-R290

VTC SERIES COMPRESSOR CAPACITIES

	BTU/h	200	400	600	800	1000	1200	1400	1600	1800
	Watts	59	117	176	235	293	352	411	469	528
VTCX360U		72 - 128 W								
VTCX410U		143 - 236 W								
VTCX415U		176 - 296 W								
VTCX419U		166 - 331 W								
VTCX424U		218 - 476 W								

Cooling for a Better Tomorrow™

©2017 Tecumseh Products Company LLC. All Rights Reserved.

CONTROLLER INFORMATION

Global Voltage Range: 85-260 VAC, 50/60 Hz.

Options:

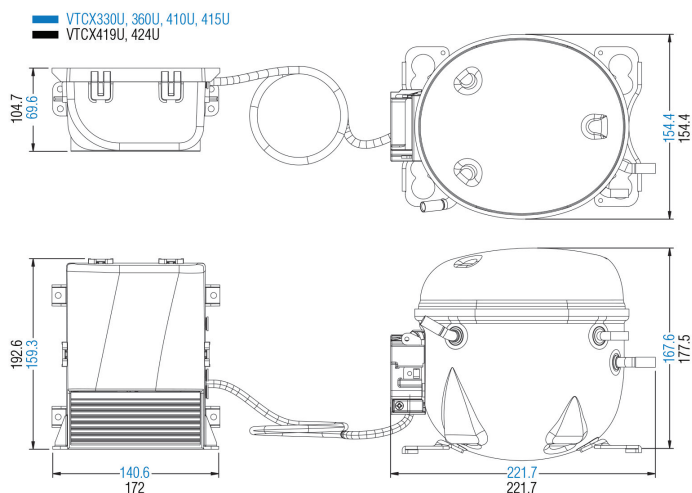
1. Algorithm for use in “drop in” applications.
2. Pulse Width Modulation (PWM) or Frequency Control.

Key Features:

- ▶ System Control Integration
- ▶ Voltage Stabilization
- ▶ Soft-Starting / Current Control
- ▶ High-Load Starting
- ▶ Communications Interface
- ▶ Diagnostics
- ▶ RPM “Skip” Capability
- ▶ Electronic Protection
- ▶ Sine Wave Motor Speed Control

DIMENSIONS

Universal Model



Dimensions in millimeters.



NWD0175

For more information on products by Tecumseh, please visit our website www.tecumseh.com