



FH²4544Z SILENSYS[®], WINTSYS[®], Traditional condensing units

Mid GWP refrigerants compatible.



CONDENSING UNITS KEY FEATURES AND BENEFITS

- ▶ Quiet
- ▶ Efficient
- ▶ Compact

▶ Performances

FH²4544Z compressors and units provide same capacity as those provided by TAG4546Z units. They are 5 to 10 % more efficient.

▶ Large choice of refrigerants

R452A, R449A, R448A, R404A.

▶ Product offering

SILFH4544Z is a compact unit: "size M" instead of the large one used with AG4546Z ("size L").

WINFH4544Z is a medium frame, it provides an extended capacity.

Both SILENSYS[®] and WINTSYS[®] units are equipped with LP Auto reset & HP auto/manual reset pressostat switch.

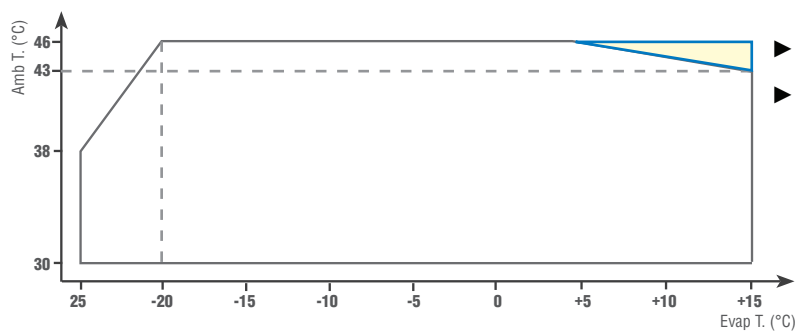
Traditional units available with options liquid line, different pressostats' configurations, metric connection kit, 220 & 400V fan.



Options:



CONDENSING UNIT APPLICATION WINDOW



- ▶ Up to 46°C ambient
- ▶ Up to +15°C evaporating temp.

Running area depends on models

APPLICATIONS

Walk-in cold rooms, large display cases, milk tanks and ice machines.



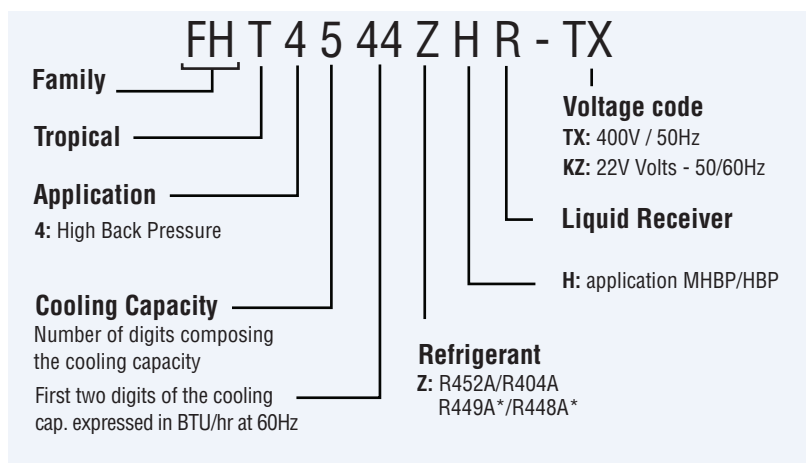


FH²4544Z SILENSYS[®], WINTSYS[®], Traditional condensing units

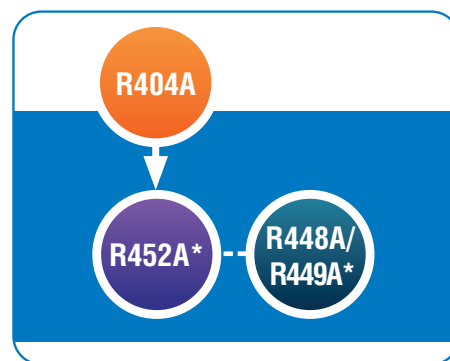
Mid GWP refrigerants compatible.



CONDENSING UNIT MODEL NOMENCLATURE



REFRIGERANTS



* Please refer to Tecumseh's guidelines for using R452A and R448A/R449A and to the selection software in order to know energy performances datas.

CONDENSING UNITS MODELS

	Available voltage codes	Dimensions Width x Depth x High (mm)	EN13215, Mid, Amb.32°C, RG20°C, SC3K, R452A/R449A		Acoustic Pressure in free field, 10m	
			Cooling Capacity (W)	SEPR mid (W/W)	dBA	
Traditional Units	FHT4544ZHR	TX	1080x644x555	6321/6239	R452A: SEPR 2.65 R449A: SEPR 2.71	53
WINTSYS [®]	WINFH4544Z	TX	1174x654x710	5759/5737	R452A: SEPR 2.60 R449A: SEPR 2.70	44
SILENSYS [®]	SILFH4544Z	TX-KZ	1174x654x837	5759/5737	R452A: SEPR 2.63 R449A: SEPR 2.73	37

* Performances corresponding to TX voltage code.

PERFORMANCES

R452A		Evaporating Temperature (°C)			
		-15	-10	-5	+5
Traditional Units	FHT4544ZHR	4355	5538	6857	9937
WINTSYS [®]	WINFH4544Z	3984	4991	6078	8489
SILENSYS [®]	SILFH4544Z	3984	4991	6078	8489

R449A/R448A		Evaporating Temperature (°C)			
		-15	-10	-5	+5
Traditional Units	FHT4544ZHR	4425	5673	7090	10480
WINTSYS [®]	WINFH4544Z	4087	5182	6391	9152
SILENSYS [®]	SILFH4544Z	4087	5182	6391	9152

* Rating conditions : Ambient 32°C, Mid/mid, SH10K, No Subcooling



NWD0364