



Tecumseh

Compressor FH²

Efficient, compact, quiet.



KEY FEATURES AND BENEFITS

- ▶ Energy Efficient
- ▶ Compact Solution
- ▶ Highly Reliable

▶ Performance

5 to 20% more energy efficiency, and better acoustics (1 - 3 dBA) quieter.

▶ Compact

One size for entire cooling capacity, up to 36 mm shorter compared to FH.

▶ Product offering

Models cover a wide cooling capacity in the same mounting footprint, and new FH4544Z.

▶ Robust & Reliable

Designed to meet the rigorous demands of commercial refrigeration applications where reliability is a must.



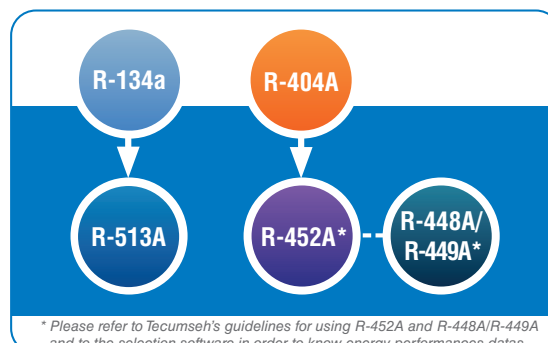
Available in tube & threaded connection

APPLICATIONS

Walk-in cold rooms, refrigerated display cases, milk tanks and ice machines



REFRIGERANTS



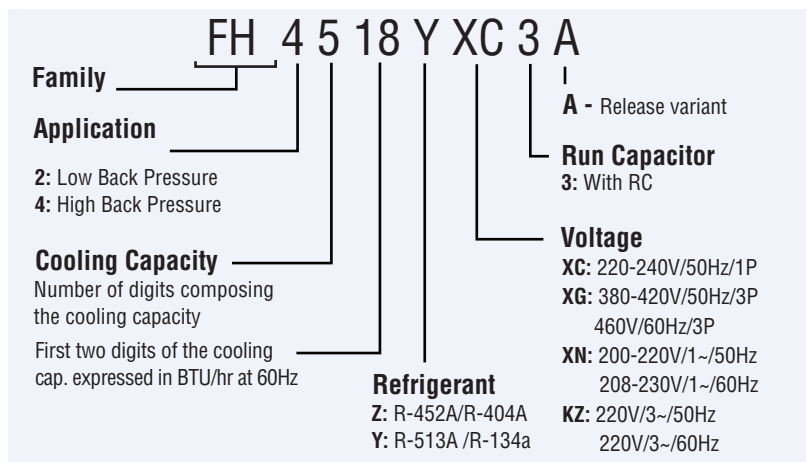


Compressor FH²

Efficient, compact, quiet.



COMPRESSOR MODEL NOMENCLATURE

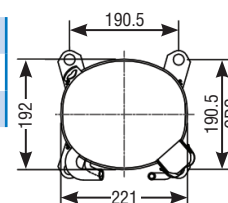


FH² 3 phase models will use new designation like FH2511Z-XG1A instead of TFH2511Z.
 FH² compressors are available in XN, KZ voltage codes.

SPECIFICATIONS

EVAP. RANGE	High Back / Low Back
REFRIGERANTS	R-404A, R-452A, R-448A*, R-449A*, R-513A, R-134a
COOLING CAP.	1000-6560 Watts
CONNECTIONS	Tubes / valves
OIL	Polyolester (POE)
FOOTPRINT	190.5 x 190.5mm
MOTOR TYPE	CSR / TRI

HEIGHT (mm)	
without grommets:	323
with grommets:	354



CRS: distance between centers of mountingholes

RANGE

LBP APPLICATION			
EN12900 Evap. T. -35°C, Cond. T. 40°C, Subcooling 0°C, return gas 20°C, Mid/Mid			
REFRIG.	MODEL	COOL. CAP. (W)	EFFICIENCY (W/W)
XC - 220-240V/1P/50Hz			
R-452A	FH2480Z-XC3A	1169	1.05
	FH2511Z-XC3A	1672	1.13
R-448A/ R-449A*	FH2480Z-XC3C	1085	1.02
	FH2511Z-XC3A	1552	1.10
XG - 380-420V/50Hz/3 / 460/60Hz/3			
R-452A	FH2480Z-XG1A	1086	1.13
	FH2480Z-XG1A (60Hz)	1161	1.09
	FH2511Z-XG1A	1525	1.10
	FH2511Z-XG1A (60Hz)	1686	1.12
R-448A/ R-449A*	FH2480Z-XG1A	1008	1.11
	FH2480Z-XG1A (60Hz)	1078	1.06
	FH2511Z-XG1A (60Hz)	1416	1.07

HBP APPLICATION			
EN12900 Evap. T. -10°C, Cond. T. 45°C, Subcooling 0°C, return gas 20°C, Mid/Mid			
REFRIG.	MODEL	COOL. CAP. (W)	EFFICIENCY (W/W)
XG - 380-420V/50Hz/3 / 460/60Hz/3			
R-513A	FH4518Y-XG1A	2127	2.14
	FH4518Y-XG1A (60Hz)	2585	2.15
	FH4525Y-XG1A	2876	2.13
R-452A	FH4522Z-XG1A	2678	1.95
	FH4522Z-XG1A (60Hz)	3122	1.92
	FH4524Z-XG1A	2900	1.96
	FH4524Z-XG1A (60Hz)	3548	1.97
	FH4532Z-XG1A	3692	2.02
	FH4532Z-XG1A(60Hz)	4502	2.07
	FH4538Z-XG1A	4872	2.05
	FH4538Z-XG1A (60Hz)	5832	2.03
	FH4544Z-XG1A NEW!	5460	1.94
	FH4544Z-XG1A (60Hz)	6465	1.95
R-448A/ R-449A*	FH4522Z-XG1A	2633	1.99
	FH4522Z-XG1A (60Hz)	3074	1.97
	FH4524Z-XG1A	2851	2.00
	FH4524Z-XG1A (60Hz)	3489	2.01
	FH4532Z-XG1A	3624	2.07
	FH4532Z-XG1A(60Hz)	4420	2.12
	FH4538Z-XG1A	4782	2.09
	FH4538Z-XG1A (60Hz)	5721	2.07
	FH4544Z-XG1A NEW!	5356	1.98
	FH4544Z-XG1A (60Hz)	6341	1.99

HBP APPLICATION			
EN12900 Evap. T. -10°C, Cond. T. 45°C, Subcooling 0°C, return gas 20°C, Mid/Mid			
REFRIG.	MODEL	COOL. CAP. (W)	EFFICIENCY (W/W)
XC - 220-240V/1P/50Hz			
R-513A	FH4518Y-XC3A	2183	2.10
	FH4525Y-XC3A	2962	2.12
R-452A	FH4522Z-XC3A	2759	1.92
	FH4524Z-XC3A	2979	1.95
	FH4532Z-XC3A	3710	1.96
	FH4538Z-XC3A	4846	2.03
R-448A/ R-449A*	FH4522-XC3A	2762	1.94
	FH4524Z-XC3A	2972	1.95
	FH4532Z-XC3A	3710	1.98
	FH4538Z-XC3A	4839	2.04

! * Please refer to Tecumseh's guidelines for using R-452A and R-448A/R-449A, and to the selection software in order to know energy performances datas.

