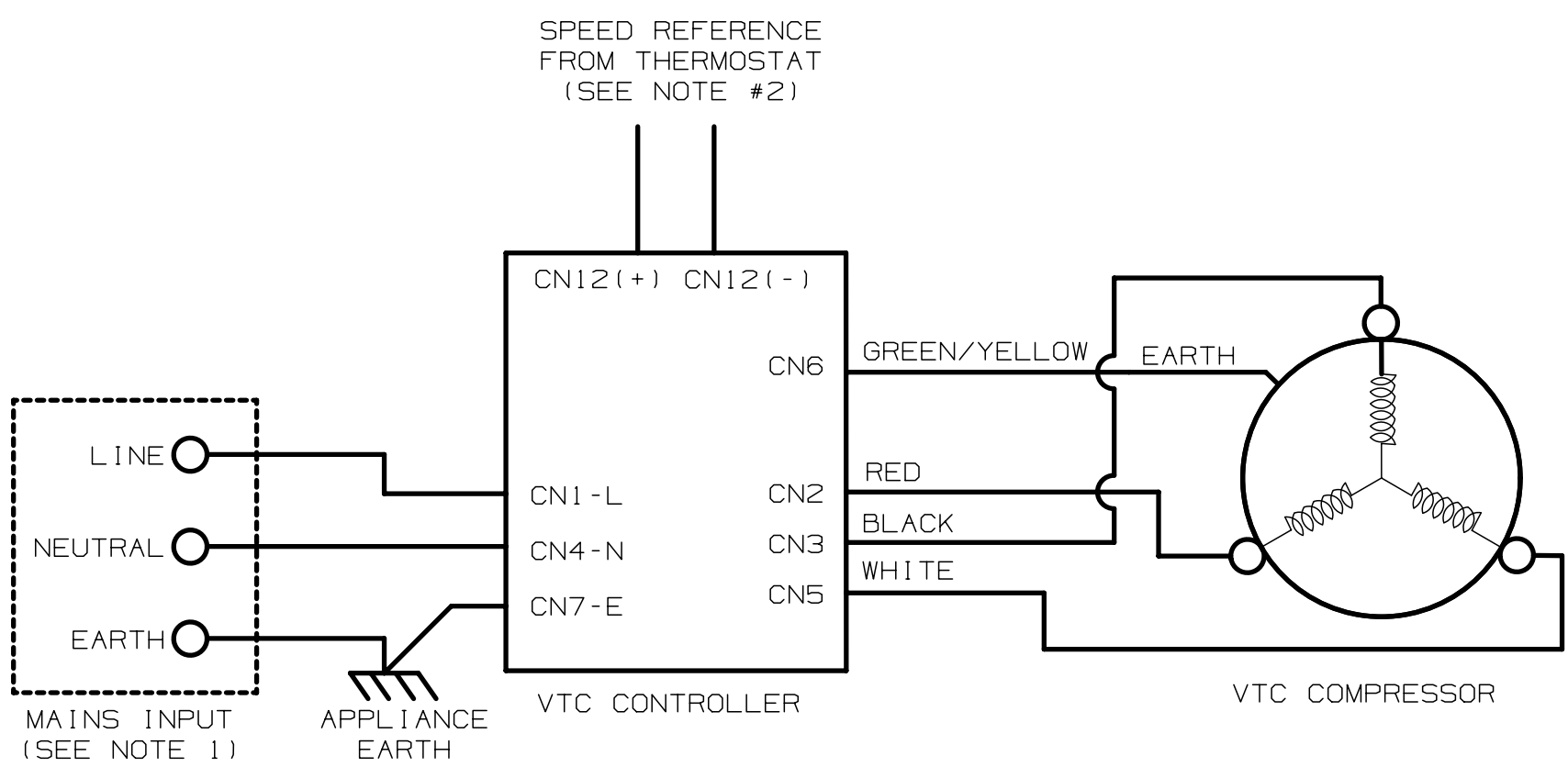


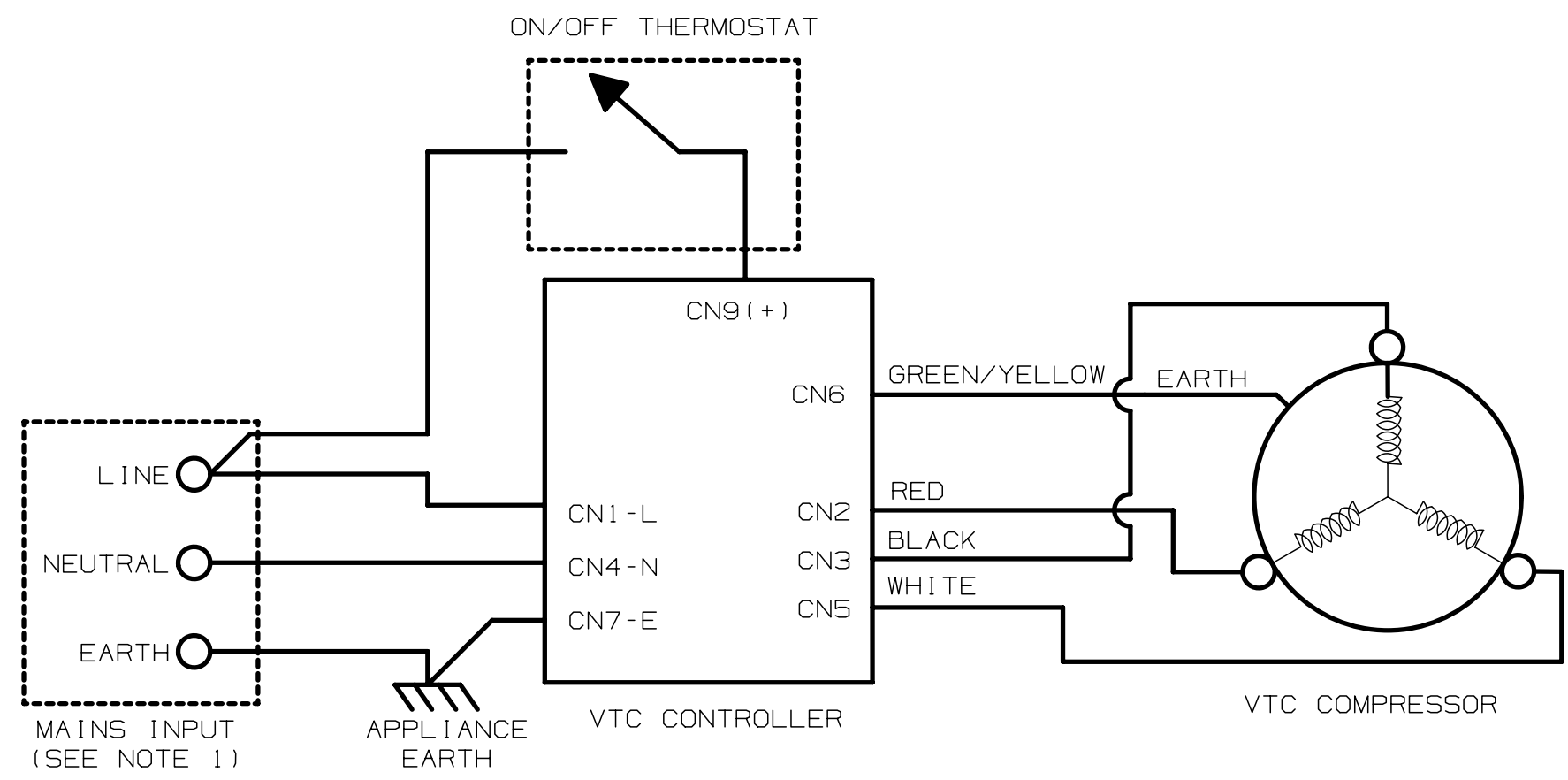
- NOTES:
1. CHECK THE CONTROLLER MODEL BEFORE CONNECTING TO POWER.
 2. ISOLATED SPEED COMMAND INPUT. SQUARE WAVE. SEE CONTROLLER SPECIFICATIONS FOR COMMAND OPTIONS.
 3. ISOLATED COMMAND INPUT FOR ON/OFF THERMOSTAT OPERATION.
 4. INTERNAL LED FOR FAILURE INFORMATION, SEE CONTROLLER SPECIFICATION FOR FAILURE CODES.

CONTROLLER CONNECTORS
- END COVER REMOVED FOR CLARITY

CONTROLLER / COMPRESSOR CONNECTION



TYPICAL WIRING DIAGRAM WHEN OPERATING WITH VARIABLE SPEED THERMOSTAT



TYPICAL WIRING DIAGRAM WHEN OPERATING WITH ON/OFF THERMOSTAT

ENGLISH

Q.A. SYMBOLS

- ★ = CATEGORY I
- ▲ = CATEGORY II
- = CATEGORY III
- = CATEGORY IV

REL	ECB6405	DATE	DATE	DESCRIPTION	DRAWING, SALES, ELECTRICAL, VTC			
LT	LC	CHANGE	DATE	DESCRIPTION	DWN	CK.	APR.	SCALE
					RDS	ON FILE	ON FILE	1:1 & NOTED
					27AUG18			
THIS DRAWING OR PRINT (1:1) IS THE PROPERTY OF LIGHTSPEED CONTROLS COMPANY. IT IS NOT TO BE REPRODUCED, COPIED, OR TRANSMITTED IN ANY FORM OR BY ANY MEANS, ELECTRONIC OR MECHANICAL, WITHOUT THE WRITTEN CONSENT OF LIGHTSPEED CONTROLS COMPANY. THE INFORMATION CONTAINED HEREIN IS UNCLASSIFIED AND IS AVAILABLE TO THE PUBLIC. THE INFORMATION CONTAINED HEREIN IS UNCLASSIFIED AND IS AVAILABLE TO THE PUBLIC. THE INFORMATION CONTAINED HEREIN IS UNCLASSIFIED AND IS AVAILABLE TO THE PUBLIC.					THIS PRINT SUPERSEDES ALL PRINTS PRIOR TO			
					DWG NO. DEMX0061			