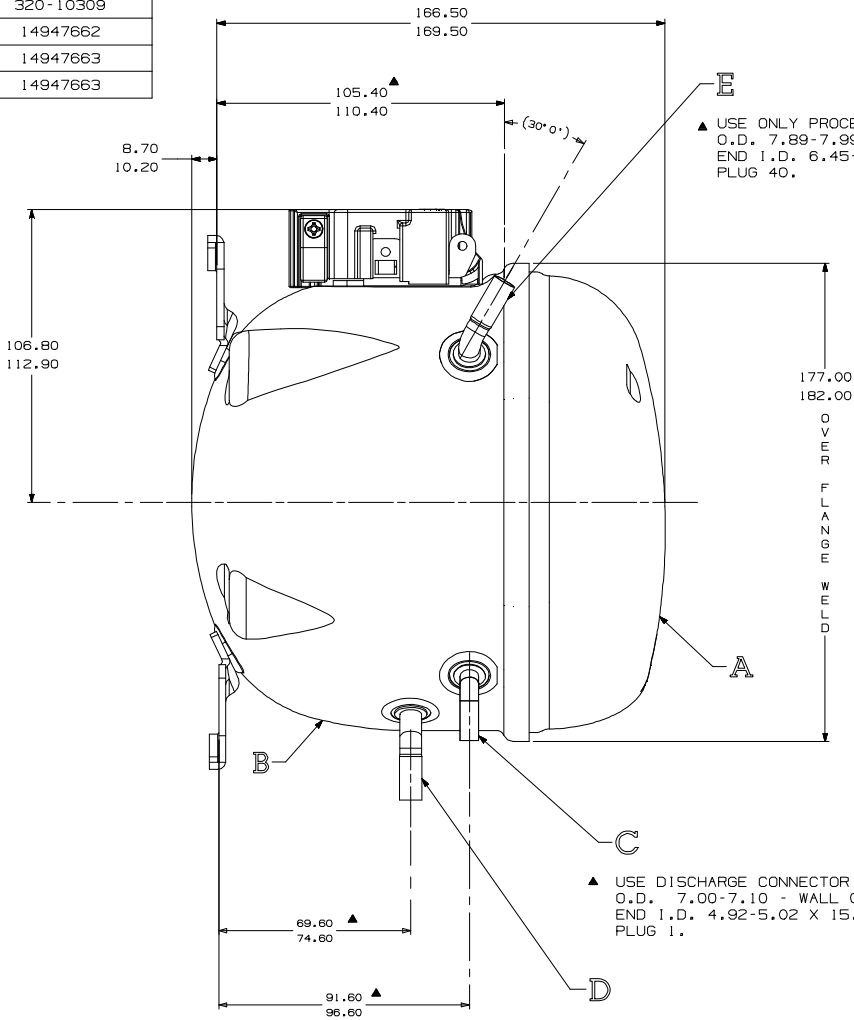


ITEM	PART NUMBER
A	14962905
B	320-10309
C	14947662
D	14947663
E	14947663

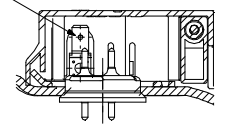


▲ USE ONLY PROCESS CONNECTOR - COPPER
 O.D. 7.89-7.99 - WALL 0.90-1.10
 END I.D. 6.45-6.55 X 15.0-17.0 DEPTH
 PLUG 40.

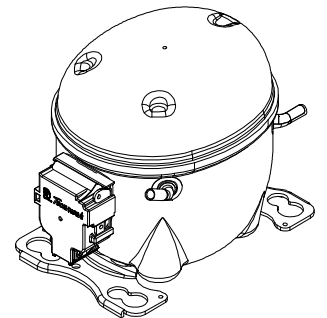
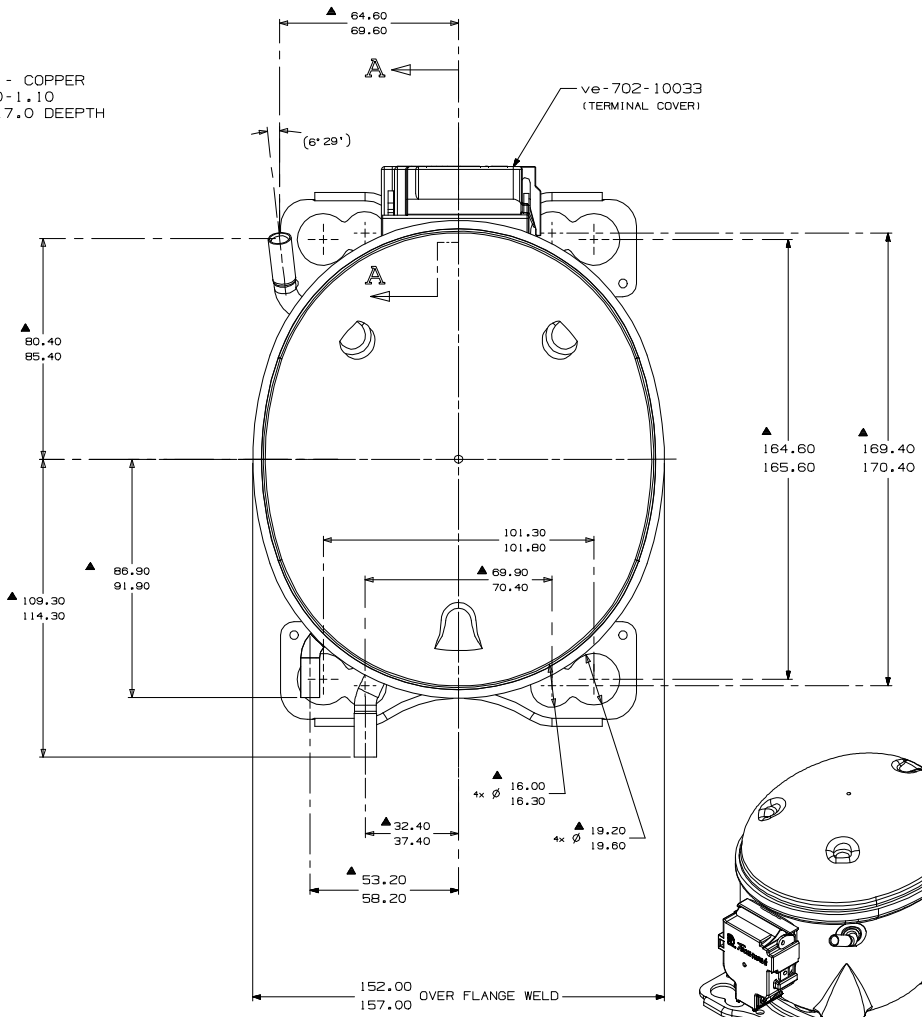
▲ USE DISCHARGE CONNECTOR - COPPER
 O.D. 7.00-7.10 - WALL 0.90-1.10
 END I.D. 4.92-5.02 X 15.0-17.0 DEPTH
 PLUG 1.

▲ USE ONLY SUCTION CONNECTOR - COPPER
 O.D. 7.89-7.99 - WALL 0.90-1.10
 END I.D. 6.45-6.55 X 15.0-17.0 DEPTH
 PLUG 40.

THIS AREA MUST BE FREE FROM PAINT WITHIN A 10.0 X 8.0 REF.



SECTION-AA



PERSPECTIVE VIEW
 SCALE 1:2

NOTES

- 1- IF SPECIFIED IN BM, ASSEMBLE PARTS AS SHOWN.
- 2- SEE SPEC. "A-B" & A-C FOR PROCESS.
- 3- FOR SUPPLIER ENVIRONMENTAL REGULATORY REQUIREMENTS, SEE TECUMSEH GLOBAL SPEC. 08
- 4- TUBES OF SUCTION, DISCHARGE AND PROCESS MUST BE FREE OF INK ON 15.9mm (5/8 ") FROM TOP OF THE TUBES AS SPEC. TECUMSEH AB-4.

LIBERADO CHANGE DATE 1/1 1/1 1/1		THIS AREA IS PROTECTED BY PATENT RIGHTS OF TECUMSEH. ANY UNAUTHORIZED REPRODUCTION OR USE OF THIS INFORMATION IS STRICTLY PROHIBITED.		THIS AREA IS PROTECTED BY PATENT RIGHTS OF TECUMSEH. ANY UNAUTHORIZED REPRODUCTION OR USE OF THIS INFORMATION IS STRICTLY PROHIBITED.	
UNITS: mm DRAWING SIZE: A1		NAME: SALES COMPRESSOR PART NO.: DCVTC052		SCALE: 1:1 PAGE: 1/1	
DATE: 28-04-17		REF.:		FAMILY: VTC	