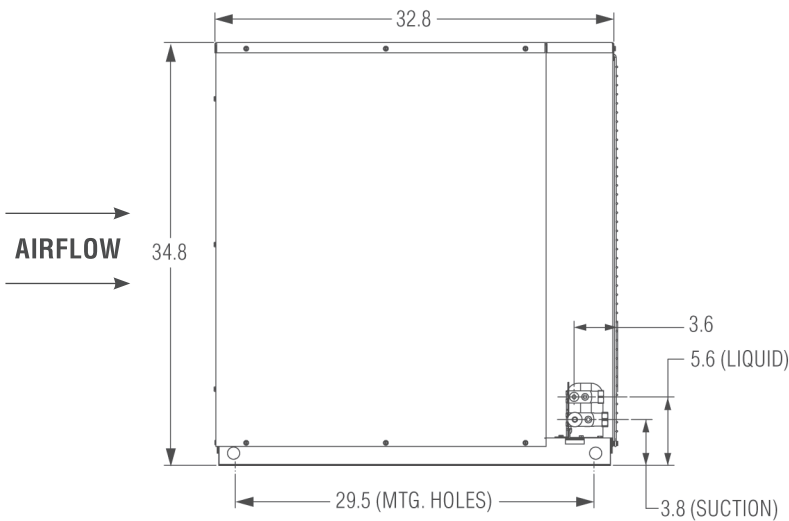
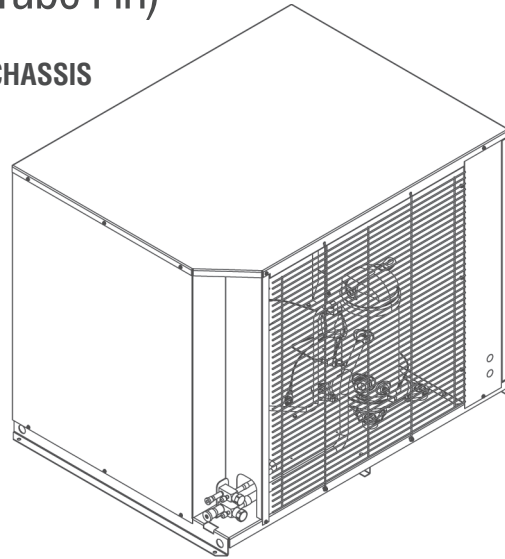


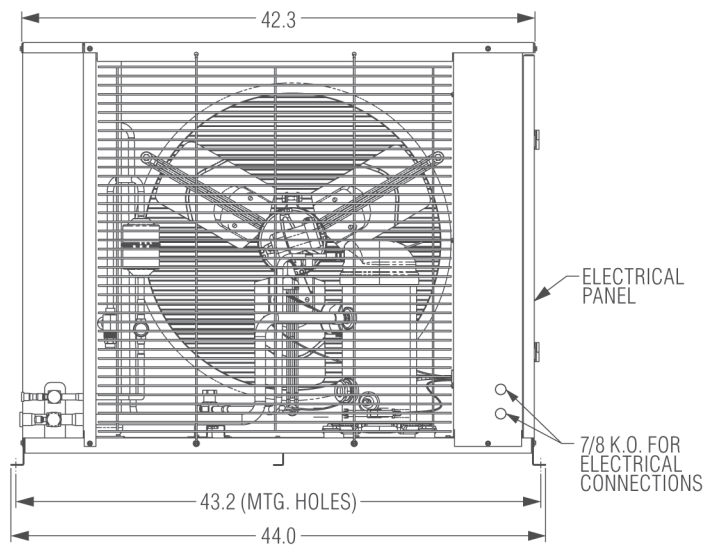
3 to 6 HP Medium Temperature Platform (Tube Fin)

Project Name:	
Customer Name:	
Model Number:	
Refrigerant:	
Job Location:	
Date:	
AWEF:	

LARGE CHASSIS



SIDE VIEW



FRONT VIEW

Physical Data

ARGUS Series	Model Number	Compressor		Connections (inch)		Pump Down Capacity* (lbs) 90% @ 90°F Ambient	Net Weight (lbs)
		Model Number	HP	Liquid	Suction		
R-404A	AS*S9524ZNA***	VSC9526XNA	3	1/2" S	7/8" S	34.38 (R-404A)	347
	AS*S9524ZFA***	VSC9526XMA	3	1/2" S	7/8" S	34.38 (R-404A)	347
R-448A	AS*S9532ZNA***	VSC9530XNA	4	1/2" S	1-1/8" S	34.38 (R-404A)	347
R-449A	AS*S9532ZFA***	VSC9530XMA	4	1/2" S	1-1/8" S	34.38 (R-404A)	347
R-452A	AS*S9540ZNA***	VSC9538XNA	5	1/2" S	1-1/8" S	34.38 (R-404A)	347
	AS*S9540ZFA***	VSC9538XMA	5	1/2" S	1-1/8" S	34.38 (R-404A)	347
	AS*S9548ZFA***	VSC9545XXT	6	1/2" S	1-1/8" S	34.38 (R-404A)	347

*Receiver + Coil Capacity

Electrical Data

Model Number	Power Supply	Compressor		Condensing Unit		Fan Motor (PSC)		
	Volts/Hz/Ph	RLA	LRA	MCA*	MOPD	Qty	HP	FLA
AS*S9524ZNA***	208-230/60/1	21	115	28.7	45	1	1/3	2.2
AS*S9524ZFA***	208-230/60/3	14.1	95	20.1	30	1	1/3	2.2
AS*S9532ZNA***	208-230/60/1	24.4	150	32.9	50	1	1/3	2.2
AS*S9532ZFA***	208-230/60/3	16.7	120	23.3	40	1	1/3	2.2
AS*S9540ZNA***	208-230/60/1	28.9	160	38.6	60	1	1/3	2.2
AS*S9540ZFA***	208-230/60/3	16.7	125	23.4	40	1	1/3	2.2
AS*S9548ZFA***	200-230/60/3	19.2	170	26.5	45	1	1/3	2.2

*Add .21 Amps for Heated Receiver

DOE AWEF (AHRI 1250)

AWEF Table	Model Number	Indoor	Outdoor
R-404A	AS*S9524Z****	5.72	8.20
	AS*S9532Z****	5.81	9.19
	AS*S9540Z****	6.12	8.95
	AS*S9548Z****	5.69	8.31
R-449A / R-448A	AS*S9524Z****	5.70	8.22
	AS*S9532Z****	5.81	9.41
	AS*S9540Z****	6.08	8.46
R-452A	AS*S9548Z****	5.69	8.31
	AS*S9524Z****	5.70	8.14
	AS*S9532Z****	5.81	8.26
	AS*S9540Z****	5.61	8.31
	AS*S9548Z****	5.61	8.37

3 to 6 HP Medium Temperature Platform (Tube Fin)

Performance Tables (R-404A)

80°F AMBIENT						
Model Number	Suction Temperature (SST)					
	30°F	25°F	20°F	10°F	0°F	-10°F
AS*S9524Z*****	39,404	35,830	34,238	27,642	21,950	17,133
AS*S9532Z*****	47,339	43,707	42,392	35,178	28,504	22,343
AS*S9540Z*****	56,188	51,748	50,048	41,232	33,069	25,530
AS*S9548Z*****	68,026	61,918	59,231	47,937	38,170	29,883

90°F AMBIENT						
Model Number	Suction Temperature (SST)					
	30°F	25°F	20°F	10°F	0°F	-10°F
AS*S9524Z*****	35,846	32,535	31,039	25,011	19,879	15,617
AS*S9532Z*****	43,305	39,928	38,674	32,008	25,876	20,253
AS*S9540Z*****	50,778	46,788	45,290	37,436	30,227	23,634
AS*S9548Z*****	60,455	55,028	52,680	42,842	34,516	27,660

95°F AMBIENT						
Model Number	Suction Temperature (SST)					
	30°F	25°F	20°F	10°F	0°F	-10°F
AS*S9524Z*****	34,066	30,887	29,441	23,695	18,843	14,860
AS*S9532Z*****	41,289	38,038	36,815	30,423	24,563	19,208
AS*S9540Z*****	48,074	44,308	42,911	35,539	28,806	22,686
AS*S9548Z*****	56,670	51,583	49,405	40,294	32,689	26,550

100°F AMBIENT						
Model Number	Suction Temperature (SST)					
	30°F	25°F	20°F	10°F	0°F	-10°F
AS*S9524Z*****	32,287	29,240	27,842	22,379	17,808	14,103
AS*S9532Z*****	39,272	36,149	34,956	28,839	23,250	18,164
AS*S9540Z*****	45,369	41,828	40,532	33,640	27,385	21,738
AS*S9548Z*****	52,884	48,138	46,130	37,747	30,861	25,438

110°F AMBIENT						
Model Number	Suction Temperature (SST)					
	30°F	25°F	20°F	10°F	0°F	-10°F
AS*S9524Z*****	28,728	25,945	24,644	19,748	15,736	—
AS*S9532Z*****	35,239	32,370	31,239	25,670	20,623	16,074
AS*S9540Z*****	39,959	36,868	35,774	29,844	24,542	19,842
AS*S9548Z*****	45,313	41,248	39,579	32,652	27,208	23,216

*All capacity data is at dew point conditions

*Return gas 40°F below 20°F Evaporator and 65°F above 20°F evaporator, Sub Cooling 5°F

*Medium temperature evaporating temperature range is from -10°F to +45°F

Performance Tables (R-448A / R-449A)

80°F AMBIENT						
Model Number	Suction Temperature (SST)					
	30°F	25°F	20°F	10°F	0°F	-10°F
AS*S9524Z*****	36,289	33,118	31,612	25,500	19,940	14,914
AS*S9532Z*****	42,383	38,636	36,865	29,817	23,560	18,069
AS*S9540Z*****	50,806	46,277	44,128	35,668	28,210	21,728
AS*S9548Z*****	58,695	53,593	51,233	41,630	33,101	25,613

90°F AMBIENT						
Model Number	Suction Temperature (SST)					
	30°F	25°F	20°F	10°F	0°F	-10°F
AS*S9524Z*****	33,791	30,759	29,278	23,465	18,202	13,471
AS*S9532Z*****	39,630	36,046	34,313	27,613	21,699	16,550
AS*S9540Z*****	47,334	43,028	40,945	32,962	25,976	19,960
AS*S9548Z*****	54,859	50,002	47,713	38,633	30,620	—

95°F AMBIENT						
Model Number	Suction Temperature (SST)					
	30°F	25°F	20°F	10°F	0°F	-10°F
AS*S9524Z*****	32,542	29,580	28,111	22,448	17,333	—
AS*S9532Z*****	38,254	34,751	33,037	26,510	20,769	15,791
AS*S9540Z*****	45,598	41,403	39,354	31,609	24,859	—
AS*S9548Z*****	52,942	48,207	45,954	37,134	29,379	—

100°F AMBIENT						
Model Number	Suction Temperature (SST)					
	30°F	25°F	20°F	10°F	0°F	-10°F
AS*S9524Z*****	31,293	28,401	26,945	21,432	16,464	—
AS*S9532Z*****	36,878	33,456	31,761	25,407	19,839	15,032
AS*S9540Z*****	43,863	39,779	37,763	30,255	23,741	—
AS*S9548Z*****	51,024	46,411	44,194	35,635	28,138	—

110°F AMBIENT						
Model Number	Suction Temperature (SST)					
	30°F	25°F	20°F	10°F	0°F	-10°F
AS*S9524Z*****	28,794	26,042	24,611	19,397	—	—
AS*S9532Z*****	34,126	30,866	29,208	23,203	17,978	—
AS*S9540Z*****	40,391	36,530	34,580	27,549	—	—
AS*S9548Z*****	47,189	42,820	40,675	32,637	—	—

Performance Tables (R-452A)

80°F AMBIENT						
Model Number	Suction Temperature (SST)					
	30°F	25°F	20°F	10°F	0°F	-10°F
AS*S9524Z*****	37,923	34,614	33,134	26,870	21,304	16,409
AS*S9532Z*****	44,230	40,558	38,983	31,794	25,197	19,166
AS*S9540Z*****	52,038	47,492	45,474	36,966	29,490	23,013
AS*S9548Z*****	60,549	55,229	52,889	43,124	34,718	27,630

90°F AMBIENT						
Model Number	Suction Temperature (SST)					
	30°F	25°F	20°F	10°F	0°F	-10°F
AS*S9524Z*****	35,132	32,012	30,591	24,732	19,565	15,068
AS*S9532Z*****	41,048	37,590	36,083	29,354	23,211	17,633
AS*S9540Z*****	48,089	43,826	41,911	34,009	27,133	21,253
AS*S9548Z*****	56,002	51,011	48,790	39,728	32,018	25,621

95°F AMBIENT						
Model Number	Suction Temperature (SST)					
	30°F	25°F	20°F	10°F	0°F	-10°F
AS*S9524Z*****	33,737	30,711	29,320	23,663	18,696	14,397
AS*S9532Z*****	39,457	36,106	34,633	28,134	22,219	16,866
AS*S9540Z*****	46,114	41,992	40,129	32,530	25,955	20,372
AS*S9548Z*****	53,729	48,901	46,741	38,031	30,667	24,617

100°F AMBIENT						
Model Number	Suction Temperature (SST)					
	30°F	25°F	20°F	10°F	0°F	-10°F
AS*S9524Z*****	32,342	29,410	28,048	22,594	17,827	13,726
AS*S9532Z*****	37,866	34,622	33,182	26,913	21,227	16,100
AS*S9540Z*****	44,139	40,159	38,348	31,052	24,777	19,493
AS*S9548Z*****	51,456	46,792	44,692	36,332	29,317	23,611

110°F AMBIENT						
Model Number	Suction Temperature (SST)					
	30°F	25°F	20°F	10°F	0°F	-10°F
AS*S9524Z*****	29,552	26,808	25,507	20,455	16,088	—
AS*S9532Z*****	34,684	31,655	30,283	24,474	19,242	—
AS*S9540Z*****	40,190	36,493	34,783	28,095	22,420	—
AS*S9548Z*****	46,909	42,573	40,594	32,936	26,617	—