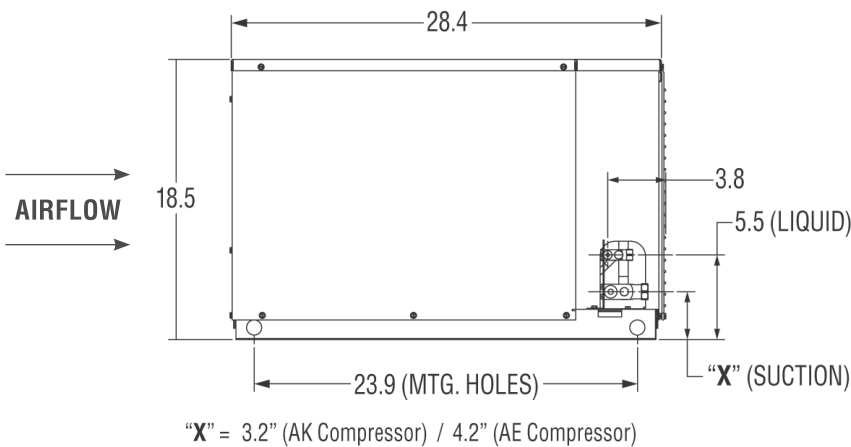
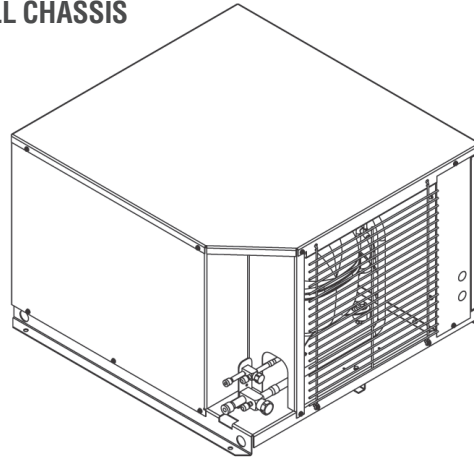


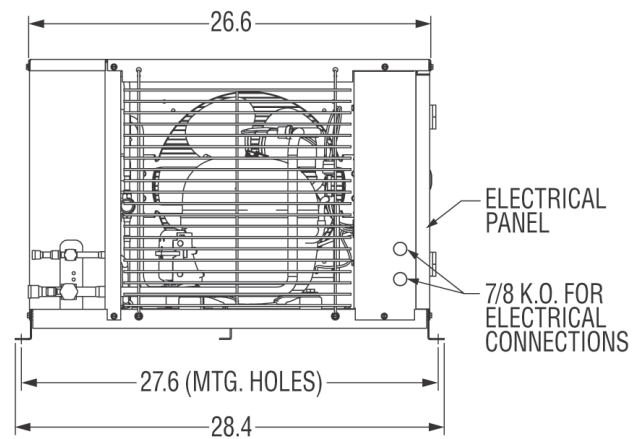
1/2 to 1 HP Medium Temperature Platform (Tube Fin)

Project Name:	
Customer Name:	
Model Number:	
Refrigerant:	
Job Location:	
Date:	
AWEF:	

SMALL CHASSIS



SIDE VIEW



FRONT VIEW

Physical Data

ARGUS Series	Model Number	Compressor		Connections (inch)		Pump Down Capacity* (lbs) 90% @ 90°F Ambient	Net Weight (lbs)
		Model Number	HP	Liquid	Suction		
R-404A	AS*R9440ZAA***	AE4450Z-AA3C	1/2	3/8" S	3/8" S	8.04 (R-404A)	150
R-448A	AS*R9440ZNA***	AE4450Z-XN3C	1/2	3/8" S	3/8" S	8.04 (R-404A)	150
R-449A	AS*R9460ZNA***	AK4510Z-NA3C	3/4	3/8" S	5/8" S	8.04 (R-404A)	159
R-452A	AS*R9480ZNA***	AK4513Z-NA3C	1	3/8" S	5/8" S	8.04 (R-404A)	159

*Receiver + Coil Capacity

Electrical Data

Model Number	Power Supply	Compressor		Condensing Unit		Fan Motor (PSC)			Fan Motor (EC)		
	Volts/Hz/Ph	RLA	LRA	MCA*	MOPD	Qty	HP	FLA	Qty	HP	FLA
AS*R9440ZAA***	115/60/1	6.2	34.5	8.8	15	1	1/20	0.85	1	1/20	0.9
AS*R9440ZNA***	208-230/60/1	2.98	22	4.4	15	1	1/20	0.45	1	1/20	0.5
AS*R9460ZNA***	208-230/60/1	5.8	29.9	7.9	15	1	1/20	0.45	1	1/20	0.5
AS*R9480ZNA***	208-230/60/1	7.1	31.3	9.6	15	1	1/20	0.45	1	1/20	0.5

*Add .21 Amps for Heated Receiver

DOE AWEF (AHRI 1250)

AWEF Table	Model Number	Indoor	Outdoor
R-404A	AS*R9440Z*****	5.61	7.60
	AS*R9460Z*****	5.61	7.60
	AS*R9480Z*****	5.61	7.60
R-449A / R-448A	AS*R9440Z*****	5.61	7.60
	AS*R9460Z*****	5.61	7.60
	AS*R9480Z*****	5.61	7.60
R-452A	AS*R9440Z*****	5.61	7.60
	AS*R9460Z*****	5.61	7.60
	AS*R9480Z*****	5.61	7.60

1/2 to 1 HP Medium Temperature Platform (Tube Fin)

Performance Tables (R-404A)

80°F AMBIENT						
Model Number	Suction Temperature (SST)					
	30°F	25°F	20°F	10°F	0°F	-10°F
AS*R9440Z*****	4,997	4,482	4,227	3,340	2,631	2,096
AS*R9460Z*****	8,664	7,861	7,485	5,968	4,626	3,451
AS*R9480Z*****	10,744	9,835	9,449	7,664	6,026	4,528

90°F AMBIENT						
Model Number	Suction Temperature (SST)					
	30°F	25°F	20°F	10°F	0°F	-10°F
AS*R9440Z*****	4,497	4,018	3,776	2,965	2,332	1,873
AS*R9460Z*****	7,813	7,074	6,723	5,345	4,138	3,100
AS*R9480Z*****	9,768	8,930	8,568	6,934	5,446	4,097

95°F AMBIENT						
Model Number	Suction Temperature (SST)					
	30°F	25°F	20°F	10°F	0°F	-10°F
AS*R9440Z*****	4,247	3,786	3,550	2,778	2,183	1,761
AS*R9460Z*****	7,388	6,681	6,343	5,033	3,895	2,925
AS*R9480Z*****	9,280	8,477	8,127	6,570	5,156	3,881

100°F AMBIENT						
Model Number	Suction Temperature (SST)					
	30°F	25°F	20°F	10°F	0°F	-10°F
AS*R9440Z*****	3,998	3,554	3,323	2,590	2,033	1,648
AS*R9460Z*****	6,962	6,288	5,962	4,722	3,652	2,749
AS*R9480Z*****	8,792	8,024	7,687	6,205	4,867	3,666

110°F AMBIENT						
Model Number	Suction Temperature (SST)					
	30°F	25°F	20°F	10°F	0°F	-10°F
AS*R9440Z*****	3,498	3,090	2,872	2,214	1,733	1,424
AS*R9460Z*****	6,112	5,502	5,201	4,099	3,166	2,399
AS*R9480Z*****	7,816	7,119	6,806	5,476	4,287	3,235

*All capacity data is at dew point conditions

*Return gas 40°F below 20°F Evaporator and 65°F above 20°F evaporator, Sub Cooling 5°F

*Medium temperature evaporating temperature range is from -10°F to +45°F

Performance Tables (R-448A / R-449A)

80°F AMBIENT						
Model Number	Suction Temperature (SST)					
	30°F	25°F	20°F	10°F	0°F	-10°F
AS*R9440Z*****	4,398	3,950	3,706	2,877	2,153	1,530
AS*R9460Z*****	7,542	6,734	6,279	4,811	3,552	2,495
AS*R9480Z*****	9,068	8,190	7,739	6,131	4,741	3,563

90°F AMBIENT						
Model Number	Suction Temperature (SST)					
	30°F	25°F	20°F	10°F	0°F	-10°F
AS*R9440Z*****	4,018	3,591	3,352	2,569	1,891	1,312
AS*R9460Z*****	6,774	6,023	5,593	4,248	3,111	2,175
AS*R9480Z*****	8,329	7,497	7,059	5,551	4,260	3,179

95°F AMBIENT						
Model Number	Suction Temperature (SST)					
	30°F	25°F	20°F	10°F	0°F	-10°F
AS*R9440Z*****	3,828	3,412	3,174	2,415	1,759	1,204
AS*R9460Z*****	6,390	5,668	5,249	3,967	2,891	2,016
AS*R9480Z*****	7,959	7,151	6,719	5,261	4,018	2,987

100°F AMBIENT						
Model Number	Suction Temperature (SST)					
	30°F	25°F	20°F	10°F	0°F	-10°F
AS*R9440Z*****	3,638	3,233	2,997	2,261	1,627	1,095
AS*R9460Z*****	6,005	5,313	4,907	3,685	2,671	1,857
AS*R9480Z*****	7,590	6,805	6,380	4,971	3,777	2,796

110°F AMBIENT						
Model Number	Suction Temperature (SST)					
	30°F	25°F	20°F	10°F	0°F	-10°F
AS*R9440Z*****	3,258	2,875	2,643	1,953	1,365	877
AS*R9460Z*****	5,237	4,602	4,220	3,123	2,230	1,538
AS*R9480Z*****	6,851	6,112	5,701	4,391	3,296	2,411

Performance Tables (R-452A)

80°F AMBIENT						
Model Number	Suction Temperature (SST)					
	30°F	25°F	20°F	10°F	0°F	-10°F
AS*R9440Z*****	4,467	4,066	3,879	3,119	2,443	1,847
AS*R9460Z*****	7,900	7,108	6,700	5,246	3,992	2,930
AS*R9480Z*****	9,794	8,991	8,639	6,998	5,433	3,936

90°F AMBIENT						
Model Number	Suction Temperature (SST)					
	30°F	25°F	20°F	10°F	0°F	-10°F
AS*R9440Z*****	4,210	3,826	3,645	2,922	2,283	1,725
AS*R9460Z*****	7,128	6,388	5,996	4,656	3,514	2,562
AS*R9480Z*****	8,910	8,169	7,839	6,331	4,897	3,531

95°F AMBIENT						
Model Number	Suction Temperature (SST)					
	30°F	25°F	20°F	10°F	0°F	-10°F
AS*R9440Z*****	4,082	3,706	3,528	2,824	2,203	1,663
AS*R9460Z*****	6,741	6,028	5,646	4,361	3,274	2,378
AS*R9480Z*****	8,468	7,758	7,438	5,997	4,629	3,328

100°F AMBIENT						
Model Number	Suction Temperature (SST)					
	30°F	25°F	20°F	10°F	0°F	-10°F
AS*R9440Z*****	3,953	3,587	3,411	2,726	2,123	1,602
AS*R9460Z*****	6,355	5,668	5,294	4,067	3,034	2,194
AS*R9480Z*****	8,026	7,347	7,038	5,663	4,361	3,126

110°F AMBIENT						
Model Number	Suction Temperature (SST)					
	30°F	25°F	20°F	10°F	0°F	-10°F
AS*R9440Z*****	3,696	3,347	3,177	2,529	1,964	1,478
AS*R9460Z*****	5,582	4,948	4,591	3,476	2,556	1,826
AS*R9480Z*****	7,142	6,525	6,238	4,997	3,825	2,721