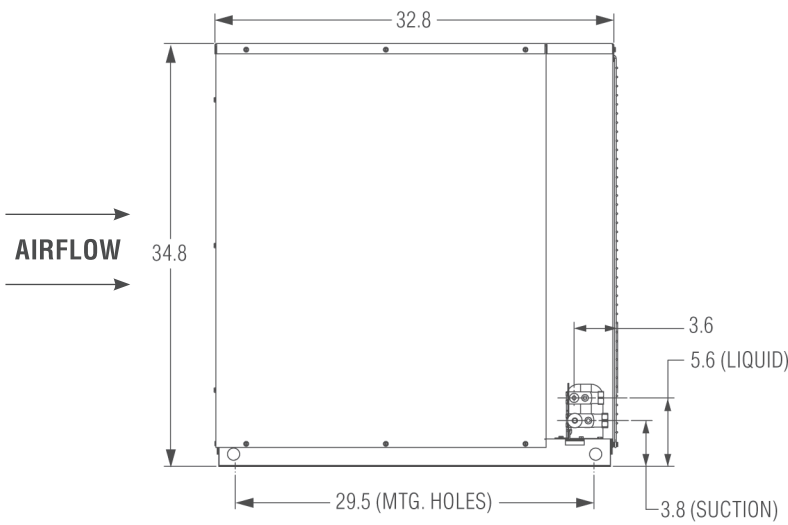
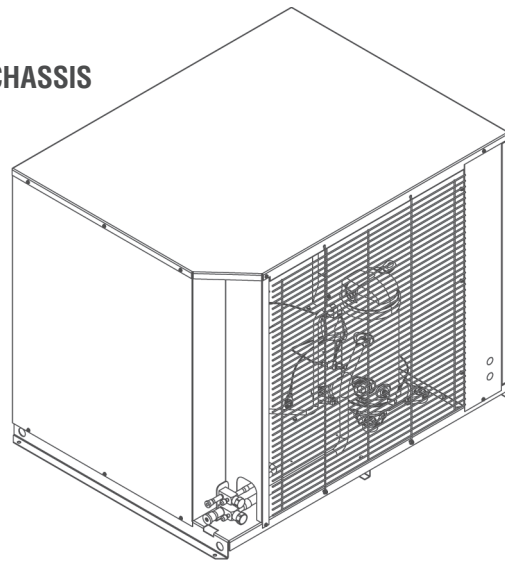


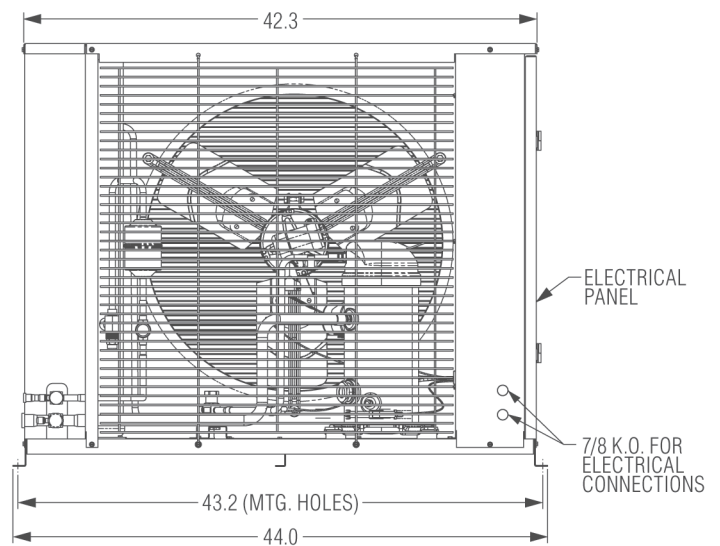
## 4 to 6 HP Low Temperature Platform (Microchannel)

|                |  |
|----------------|--|
| Project Name:  |  |
| Customer Name: |  |
| Model Number:  |  |
| Refrigerant:   |  |
| Job Location:  |  |
| Date:          |  |
| AWEF:          |  |

**LARGE CHASSIS**



**SIDE VIEW**



**FRONT VIEW**

### Physical Data – Scroll

| ARGUS Series     | Model Number   | Compressor   |    | Connections (inch) |          | Pump Down Capacity* (lbs) 90% @ 90°F Ambient |               |        | Net Weight (lbs) |
|------------------|----------------|--------------|----|--------------------|----------|--|---------------|--------|------------------|
|                  |                | Model Number | HP | Liquid             | Suction  | R-404A                                       | R-448A/R-449A | R-452A |                  |
| R-404A           | AS*S2520ZNA*** | VS2519Z-NA9A | 5  | 1/2" S             | 1-1/8" S | 34.38  | 36.24         | 37.06  | 347              |
| R-448A<br>R-449A | AS*S2520ZFA*** | VS2519Z-FA1A | 5  | 1/2" S             | 1-1/8" S | 34.38  | 36.24         | 37.06  | 347              |
| R-452A           | AS*S2524ZFA*** | VS2522Z-FA1A | 6  | 1/2" S             | 1-1/8" S | 34.38  | 36.24         | 37.06  | 347              |

\*Receiver + Coil Capacity

### DOE AWEF (AHRI 1250)

| AWEF Table      | Model Number   | Indoor | Outdoor |
|-----------------|----------------|--------|---------|
| R-404A          | AS*S2520Z***** | 2.55   | 3.39    |
|                 | AS*S2524Z***** | 2.79   | 3.66    |
| R-449A / R-448A | AS*S2520Z***** | 2.47   | 3.24    |
|                 | AS*S2524Z***** | 2.58   | 3.32    |
| R-452A          | AS*S2520Z***** | 2.48   | 3.25    |
|                 | AS*S2524Z***** | 2.59   | 3.37    |

### Electrical Data – Scroll

| Model Number   | Power Supply | Compressor |     | Condensing Unit |      | Fan Motor (PSC) |     |     |
|----------------|--------------|------------|-----|-----------------|------|-----------------|-----|-----|
|                | Volts/Hz/Ph  | RLA        | LRA | MCA*            | MOPD | Qty             | HP  | FLA |
| AS*S2520ZNA*** | 208-230/60/1 | 25.5       | 140 | 34.4            | 50   | 1               | 1/3 | 2.2 |
| AS*S2520ZFA*** | 208-230/60/3 | 15.7       | 136 | 22.1            | 35   | 1               | 1/3 | 2.2 |
| AS*S2524ZFA*** | 208-230/60/3 | 19.2       | 167 | 19.0            | 45   | 1               | 1/3 | 2.2 |

\*Add .21 Amps for Heated Receiver

## 4 to 6 HP Low Temperature Platform (Microchannel)

### Performance Tables (R-404A)

| 80°F AMBIENT   |                           | Suction Temperature (SST) |        |        |        |        |  |
|----------------|---------------------------|---------------------------|--------|--------|--------|--------|--|
| Model Number   | Suction Temperature (SST) |                           |        |        |        |        |  |
|                | -30°F                     | -25°F                     | -20°F  | -10°F  | 0°F    | 10°F   |  |
| AS*S2520Z***** | 15,212                    | 17,240                    | 19,457 | 24,461 | 30,226 | 36,749 |  |
| AS*S2524Z***** | 17,542                    | 20,069                    | 22,769 | 28,683 | 35,285 | 42,574 |  |

| 90°F AMBIENT   |                           | Suction Temperature (SST) |        |        |        |        |  |
|----------------|---------------------------|---------------------------|--------|--------|--------|--------|--|
| Model Number   | Suction Temperature (SST) |                           |        |        |        |        |  |
|                | -30°F                     | -25°F                     | -20°F  | -10°F  | 0°F    | 10°F   |  |
| AS*S2520Z***** | 13,893                    | 15,691                    | 17,678 | 22,221 | 27,524 | 33,587 |  |
| AS*S2524Z***** | 16,178                    | 18,412                    | 20,818 | 26,144 | 32,159 | 38,860 |  |

| 95°F AMBIENT   |                           | Suction Temperature (SST) |        |        |        |        |  |
|----------------|---------------------------|---------------------------|--------|--------|--------|--------|--|
| Model Number   | Suction Temperature (SST) |                           |        |        |        |        |  |
|                | -30°F                     | -25°F                     | -20°F  | -10°F  | 0°F    | 10°F   |  |
| AS*S2520Z***** | 13,234                    | 14,916                    | 16,787 | 21,101 | 26,173 | 32,006 |  |
| AS*S2524Z***** | 15,496                    | 17,583                    | 19,842 | 24,875 | 30,595 | 37,003 |  |

| 100°F AMBIENT  |                           | Suction Temperature (SST) |        |        |        |        |  |
|----------------|---------------------------|---------------------------|--------|--------|--------|--------|--|
| Model Number   | Suction Temperature (SST) |                           |        |        |        |        |  |
|                | -30°F                     | -25°F                     | -20°F  | -10°F  | 0°F    | 10°F   |  |
| AS*S2520Z***** | 12,574                    | 14,141                    | 15,898 | 19,981 | 24,823 | 30,424 |  |
| AS*S2524Z***** | 14,814                    | 16,754                    | 18,866 | 23,606 | 29,032 | 35,146 |  |

| 110°F AMBIENT  |                           | Suction Temperature (SST) |        |        |        |        |  |
|----------------|---------------------------|---------------------------|--------|--------|--------|--------|--|
| Model Number   | Suction Temperature (SST) |                           |        |        |        |        |  |
|                | -30°F                     | -25°F                     | -20°F  | -10°F  | 0°F    | 10°F   |  |
| AS*S2520Z***** | 11,256                    | 12,592                    | 14,119 | 17,740 | 22,121 | 27,262 |  |
| AS*S2524Z***** | 13,450                    | 15,097                    | 16,915 | 21,067 | 25,906 | 31,432 |  |

\*Return gas 40°F evaporator, Sub Cooling 5°F

### Performance Tables (R-448A / R-449A)

| 80°F AMBIENT   |                           | Suction Temperature (SST) |        |        |        |        |  |
|----------------|---------------------------|---------------------------|--------|--------|--------|--------|--|
| Model Number   | Suction Temperature (SST) |                           |        |        |        |        |  |
|                | -30°F                     | -25°F                     | -20°F  | -10°F  | 0°F    | 10°F   |  |
| AS*S2520Z***** | 12,921                    | 14,772                    | 16,729 | 20,968 | 25,635 | 30,733 |  |
| AS*S2524Z***** | 14,794                    | 16,865                    | 19,147 | 24,339 | 30,371 | 37,242 |  |

| 90°F AMBIENT   |                           | Suction Temperature (SST) |        |        |        |        |  |
|----------------|---------------------------|---------------------------|--------|--------|--------|--------|--|
| Model Number   | Suction Temperature (SST) |                           |        |        |        |        |  |
|                | -30°F                     | -25°F                     | -20°F  | -10°F  | 0°F    | 10°F   |  |
| AS*S2520Z***** | 12,113                    | 13,837                    | 15,668 | 19,653 | 24,065 | 28,909 |  |
| AS*S2524Z***** | 13,929                    | 15,839                    | 17,959 | 22,830 | 28,541 | 35,092 |  |

| 95°F AMBIENT   |                           | Suction Temperature (SST) |        |        |        |        |  |
|----------------|---------------------------|---------------------------|--------|--------|--------|--------|--|
| Model Number   | Suction Temperature (SST) |                           |        |        |        |        |  |
|                | -30°F                     | -25°F                     | -20°F  | -10°F  | 0°F    | 10°F   |  |
| AS*S2520Z***** | 11,710                    | 13,370                    | 15,137 | 18,994 | 23,281 | 27,997 |  |
| AS*S2524Z***** | 13,495                    | 15,327                    | 17,367 | 22,076 | 27,626 | 34,016 |  |

| 100°F AMBIENT  |                           | Suction Temperature (SST) |        |        |        |        |  |
|----------------|---------------------------|---------------------------|--------|--------|--------|--------|--|
| Model Number   | Suction Temperature (SST) |                           |        |        |        |        |  |
|                | -30°F                     | -25°F                     | -20°F  | -10°F  | 0°F    | 10°F   |  |
| AS*S2520Z***** | 11,307                    | 12,903                    | 14,607 | 18,336 | 22,496 | 27,085 |  |
| AS*S2524Z***** | 13,063                    | 14,813                    | 16,773 | 21,322 | 26,712 | 32,941 |  |

| 110°F AMBIENT  |                           | Suction Temperature (SST) |        |        |        |        |  |
|----------------|---------------------------|---------------------------|--------|--------|--------|--------|--|
| Model Number   | Suction Temperature (SST) |                           |        |        |        |        |  |
|                | -30°F                     | -25°F                     | -20°F  | -10°F  | 0°F    | 10°F   |  |
| AS*S2520Z***** | 10,499                    | 11,968                    | 13,545 | 17,021 | 20,926 | 25,262 |  |
| AS*S2524Z***** | 12,197                    | 13,787                    | 15,586 | 19,814 | 24,882 | 30,790 |  |

### Performance Tables (R-452A)

| 80°F AMBIENT   |                           | Suction Temperature (SST) |        |        |        |        |  |
|----------------|---------------------------|---------------------------|--------|--------|--------|--------|--|
| Model Number   | Suction Temperature (SST) |                           |        |        |        |        |  |
|                | -30°F                     | -25°F                     | -20°F  | -10°F  | 0°F    | 10°F   |  |
| AS*S2520Z***** | 14,078                    | 16,009                    | 18,132 | 22,954 | 28,545 | 34,903 |  |
| AS*S2524Z***** | 14,882                    | 17,295                    | 19,893 | 25,645 | 32,136 | 39,365 |  |

| 90°F AMBIENT   |                           | Suction Temperature (SST) |        |        |        |        |  |
|----------------|---------------------------|---------------------------|--------|--------|--------|--------|--|
| Model Number   | Suction Temperature (SST) |                           |        |        |        |        |  |
|                | -30°F                     | -25°F                     | -20°F  | -10°F  | 0°F    | 10°F   |  |
| AS*S2520Z***** | 12,910                    | 14,634                    | 16,548 | 20,954 | 26,129 | 32,072 |  |
| AS*S2524Z***** | 13,781                    | 15,993                    | 18,389 | 23,738 | 29,825 | 36,652 |  |

| 95°F AMBIENT   |                           | Suction Temperature (SST) |        |        |        |        |  |
|----------------|---------------------------|---------------------------|--------|--------|--------|--------|--|
| Model Number   | Suction Temperature (SST) |                           |        |        |        |        |  |
|                | -30°F                     | -25°F                     | -20°F  | -10°F  | 0°F    | 10°F   |  |
| AS*S2520Z***** | 12,327                    | 13,945                    | 15,757 | 19,954 | 24,921 | 30,655 |  |
| AS*S2524Z***** | 13,231                    | 15,342                    | 17,637 | 22,783 | 28,670 | 35,295 |  |

| 100°F AMBIENT  |                           | Suction Temperature (SST) |        |        |        |        |  |
|----------------|---------------------------|---------------------------|--------|--------|--------|--------|--|
| Model Number   | Suction Temperature (SST) |                           |        |        |        |        |  |
|                | -30°F                     | -25°F                     | -20°F  | -10°F  | 0°F    | 10°F   |  |
| AS*S2520Z***** | 11,744                    | 13,258                    | 14,964 | 18,955 | 23,713 | 29,240 |  |
| AS*S2524Z***** | 12,680                    | 14,690                    | 16,886 | 21,830 | 27,514 | 33,938 |  |

| 110°F AMBIENT  |                           | Suction Temperature (SST) |        |        |        |        |  |
|----------------|---------------------------|---------------------------|--------|--------|--------|--------|--|
| Model Number   | Suction Temperature (SST) |                           |        |        |        |        |  |
|                | -30°F                     | -25°F                     | -20°F  | -10°F  | 0°F    | 10°F   |  |
| AS*S2520Z***** | 10,576                    | 11,883                    | 13,381 | 16,955 | 21,297 | 26,408 |  |
| AS*S2524Z***** | 11,579                    | 13,387                    | 15,381 | 19,923 | 25,204 | 31,224 |  |