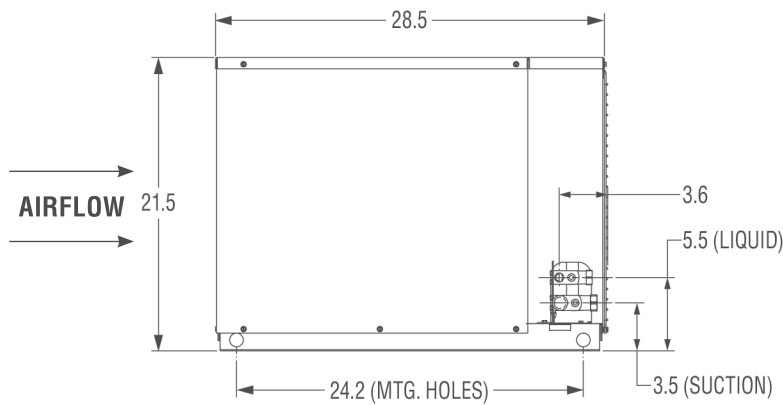
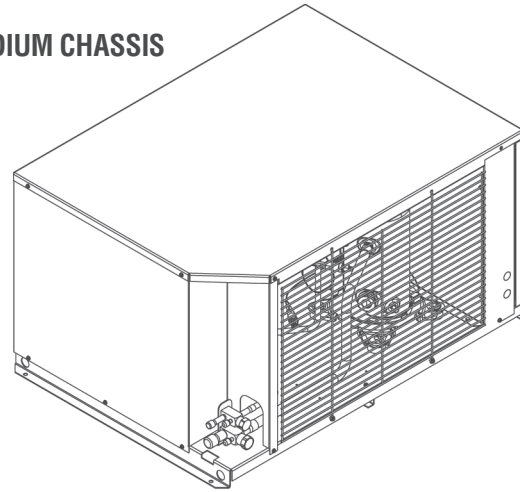


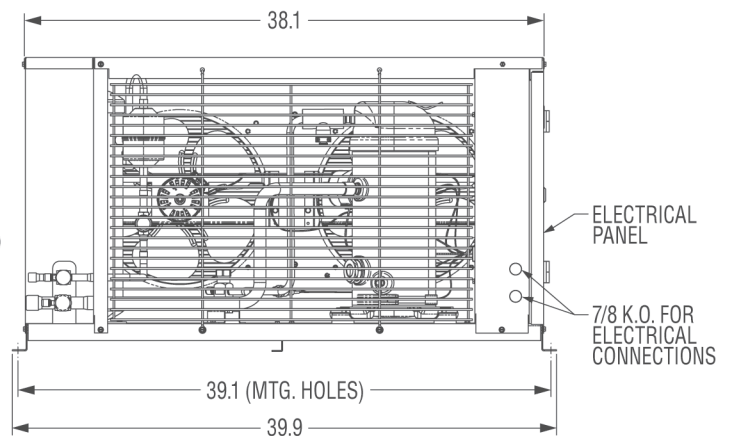
## 2 to 3-1/2 HP Low Temperature Platform (Microchannel)

Project Name:	
Customer Name:	
Model Number:	
Refrigerant:	
Job Location:	
Date:	
AWEF:	

### MEDIUM CHASSIS



SIDE VIEW



FRONT VIEW

### Physical Data

ARGUS Series	Model Number	Compressor		Connections (inch)		Pump Down Capacity* (lbs) 90% @ 90°F Ambient			Net Weight (lbs)
		Model Number	HP	Liquid	Suction	R-404A	R-448A/R-449A	R-452A	
R-404A	AS*R2480ZNA***	AWA2480ZXN	2	1/2" S	5/8" S	18.36	19.35	19.79	238
R-448A	AS*R2480ZFA***	AWA2480ZXT	2	1/2" S	5/8" S	18.36	19.35	19.79	238
R-449A	AS*R2510ZNA***	AWA2510NA	2-1/2	1/2" S	5/8" S	18.36	19.35	19.79	238
R-452A	AS*R2510ZFA***	AWA2510FA	2-1/2	1/2" S	5/8" S	18.36	19.35	19.79	238

\*Receiver + Coil Capacity

### Electrical Data

Model Number	Power Supply	Compressor		Condensing Unit		Fan Motor (PSC)			Fan Motor (EC)		
	Volts/Hz/Ph	RLA	LRA	MCA*	MOPD	Qty	HP	FLA	Qty	HP	FLA
AS*R2480ZNA***	208-230/60/1	12.6	73.1	16.8	25	2	1/20	0.45	2	1/20	0.5
AS*R2480ZFA***	208-230/60/3	8.4	63.4	11.6	15	2	1/20	0.45	2	1/20	0.5
AS*R2510ZNA***	208-230/60/1	14.7	80.0	18.7	30	2	1/20	0.45	2	1/20	0.5
AS*R2510ZFA***	208-230/60/3	14.2	80.0	18.7	30	2	1/20	0.45	2	1/20	0.5

\*Add .21 Amps for Heated Receiver

### DOE AWEF (AHRI 1250)

AWEF Table	Model Number	Indoor	Outdoor
R-404A	AS*R2480Z*****	2.54	3.23
	AS*R2510Z*****	2.53	3.26
R-448A/R-449A	AS*R2480Z*****	2.35	3.13
	AS*R2510Z*****	2.45	3.14
R-452A	AS*R2480Z*****	2.35	3.13
	AS*R2510Z*****	2.41	3.13

## 2 to 3-1/2 HP Low Temperature Platform (Microchannel)

### Performance Tables (R-404A)

80°F AMBIENT						
Model Number	Suction Temperature (SST)					
	-30°F	-25°F	-20°F	-10°F	0°F	10°F
AS*R2480Z*****	5,950	7,200	8,450	11,150	14,000	16,950
AS*R2510Z*****	7,209	8,546	9,915	12,744	15,696	18,772

90°F AMBIENT						
Model Number	Suction Temperature (SST)					
	-30°F	-25°F	-20°F	-10°F	0°F	10°F
AS*R2480Z*****	5,020	6,150	7,350	9,840	12,450	15,250
AS*R2510Z*****	6,017	7,275	8,564	11,234	14,027	16,944

95°F AMBIENT						
Model Number	Suction Temperature (SST)					
	-30°F	-25°F	-20°F	-10°F	0°F	10°F
AS*R2480Z*****	4,540	5,600	6,750	9,150	11,170	14,420
AS*R2510Z*****	5,421	6,639	7,888	10,479	13,192	16,030

100°F AMBIENT						
Model Number	Suction Temperature (SST)					
	-30°F	-25°F	-20°F	-10°F	0°F	10°F
AS*R2480Z*****	4,050	5,115	6,200	8,518	10,915	13,543
AS*R2510Z*****	4,825	6,003	7,213	9,724	12,358	15,116

110°F AMBIENT						
Model Number	Suction Temperature (SST)					
	-30°F	-25°F	-20°F	-10°F	0°F	10°F
AS*R2480Z*****	—	4,030	5,050	7,145	9,425	11,850
AS*R2510Z*****	—	—	5,862	8,214	10,689	13,287

### Performance Tables (R-448A / R-449A)

80°F AMBIENT						
Model Number	Suction Temperature (SST)					
	-30°F	-25°F	-20°F	-10°F	0°F	10°F
AS*R2480Z*****	4,304	5,482	6,721	9,518	12,649	16,115
AS*R2510Z*****	5,215	6,952	8,613	11,708	14,499	16,988

90°F AMBIENT						
Model Number	Suction Temperature (SST)					
	-30°F	-25°F	-20°F	-10°F	0°F	10°F
AS*R2480Z*****	3,593	4,685	5,833	8,407	11,339	14,602
AS*R2510Z*****	4,311	5,871	7,356	10,097	12,534	14,669

95°F AMBIENT						
Model Number	Suction Temperature (SST)					
	-30°F	-25°F	-20°F	-10°F	0°F	10°F
AS*R2480Z*****	3,260	4,289	5,405	7,875	10,706	13,871
AS*R2510Z*****	3,859	5,331	6,727	9,291	11,552	13,509

100°F AMBIENT						
Model Number	Suction Temperature (SST)					
	-30°F	-25°F	-20°F	-10°F	0°F	10°F
AS*R2480Z*****	2,868	3,861	4,946	7,330	10,076	13,131
AS*R2510Z*****	—	—	6,098	8,486	10,569	12,350

110°F AMBIENT						
Model Number	Suction Temperature (SST)					
	-30°F	-25°F	-20°F	-10°F	0°F	10°F
AS*R2480Z*****	—	—	—	6,264	8,812	11,668
AS*R2510Z*****	—	—	—	—	8,904	10,031

### Performance Tables (R-452A)

80°F AMBIENT						
Model Number	Suction Temperature (SST)					
	-30°F	-25°F	-20°F	-10°F	0°F	10°F
AS*R2480Z*****	4,850	6,150	7,450	10,200	13,050	16,000
AS*R2510Z*****	6,118	7,411	8,735	11,477	14,343	17,334

90°F AMBIENT						
Model Number	Suction Temperature (SST)					
	-30°F	-25°F	-20°F	-10°F	0°F	10°F
AS*R2480Z*****	4,000	5,215	6,425	8,950	11,600	14,350
AS*R2510Z*****	5,029	6,259	7,520	10,135	12,876	15,741

95°F AMBIENT						
Model Number	Suction Temperature (SST)					
	-30°F	-25°F	-20°F	-10°F	0°F	10°F
AS*R2480Z*****	3,600	4,750	5,930	8,350	10,900	13,550
AS*R2510Z*****	4,485	5,683	6,913	9,465	12,142	14,944

100°F AMBIENT						
Model Number	Suction Temperature (SST)					
	-30°F	-25°F	-20°F	-10°F	0°F	10°F
AS*R2480Z*****	3,135	4,250	5,400	7,735	10,200	12,740
AS*R2510Z*****	—	5,107	6,305	8,794	11,409	14,148

110°F AMBIENT						
Model Number	Suction Temperature (SST)					
	-30°F	-25°F	-20°F	-10°F	0°F	10°F
AS*R2480Z*****	—	—	4,379	6,533	8,798	11,140
AS*R2510Z*****	—	—	—	7,453	9,941	12,554

\*Return gas 40°F evaporator, Sub Cooling 5°F