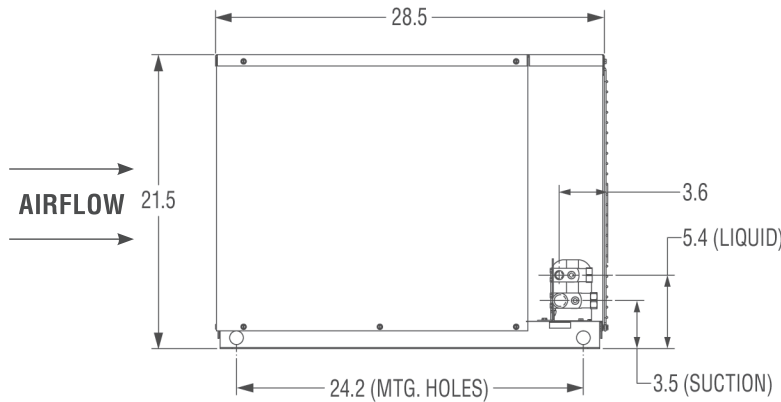
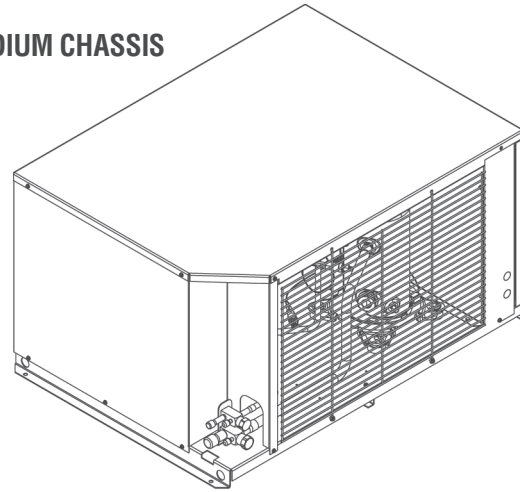


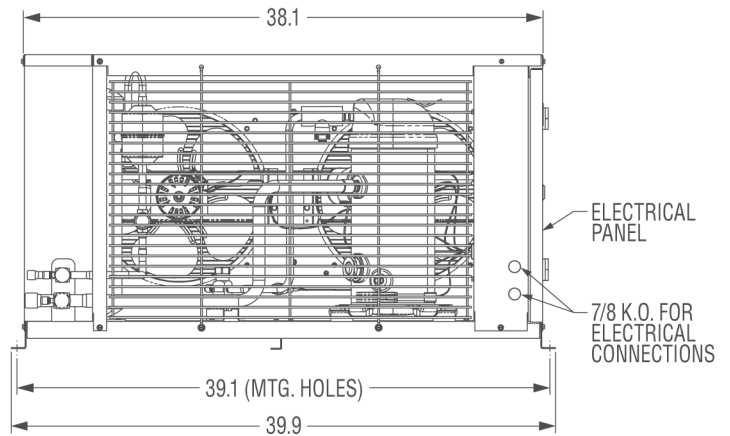
2 to 3-1/2 HP Low Temperature Platform (Tube Fin)

Project Name:	
Customer Name:	
Model Number:	
Refrigerant:	
Job Location:	
Date:	
AWEF:	

MEDIUM CHASSIS



SIDE VIEW



FRONT VIEW

Physical Data – Scroll

ARGUS Series	Model Number	Compressor		Connections (inch)		Pump Down Capacity* (lbs) 90% @ 90°F Ambient			Net Weight (lbs)
		Model Number	HP	Liquid	Suction	R-404A	R-449A	R-452A	
R-404A	AS*S2480ZNA***	VS2480Z-NA9A	2	1/2" S	7/8" S	18.36	19.35	19.79	238
	AS*S2480ZFA***	VS2480Z-FA1A	2	1/2" S	7/8" S	18.36	19.35	19.79	238
R-448A	AS*S2510ZNA***	VS2510Z-NA9A	2-1/2	1/2" S	7/8" S	18.36	19.35	19.79	234
R-449A	AS*S2510ZFA***	VS2510Z-FA1A	2-1/2	1/2" S	7/8" S	18.36	19.35	19.79	234
R-452A	AS*S2512ZNA***	VS2511Z-NA9A	3	1/2" S	7/8" S	18.36	19.35	19.79	234
	AS*S2512ZFA***	VS2511Z-FA1A	3	1/2" S	7/8" S	18.36	19.35	19.79	234
	AS*S2514ZNA***	VS2513Z-NA9A	3-1/2	1/2" S	7/8" S	18.36	19.35	19.79	239
	AS*S2514ZFA***	VS2513Z-FA1A	3-1/2	1/2" S	7/8" S	18.36	19.35	19.79	239

*Receiver + Coil Capacity

Electrical Data – Scroll

Model Number	Power Supply	Compressor		Condensing Unit		Fan Motor (PSC)			Fan Motor (EC)		
	Volts/Hz/Ph	RLA	LRA	MCA*	MOPD	Qty	HP	FLA	Qty	HP	FLA
AS*S2480ZNA***	208-230V/60Hz/1	11.3	45.5	17.0	30	2	1/20	0.45	2	1/20	0.05
AS*S2480ZFA***	208-230V/60Hz/3	8.4	99.0	11.6	20	2	1/20	0.45	2	1/20	0.05
AS*S2510ZNA***	208-230V/60Hz/1	15.4	76.0	18.7	30	2	1/20	0.45	2	1/20	0.05
AS*S2510ZFA***	208-230V/60Hz/3	9.4	99.0	TBD	TBD	2	1/20	0.45	2	1/20	0.05
AS*S2512ZNA***	208-230V/60Hz/1	14.8	76.0	20.4	35	2	1/20	0.45	2	1/20	0.05
AS*S2512ZFA***	208-230V/60Hz/3	10.0	99.0	13.7	20	2	1/20	0.45	2	1/20	0.05
AS*S2514ZNA***	208-230V/60Hz/1	18.4	76.0	24.2	40	2	1/20	0.45	2	1/20	0.05
AS*S2514ZFA***	208-230V/60Hz/3	13.0	136.0	17.4	30	2	1/20	0.45	2	1/20	0.05

*Add .21 Amps for Heated Receiver

DOE AWEF (AHRI 1250)

AWEF Table	Model Number	Indoor	Outdoor
R-404A	AS*S2480Z*****	2.66	3.62
	AS*S2510Z*****	2.64	3.52
	AS*S2512Z*****	2.66	3.65
	AS*S2514Z*****	2.50	3.44
R-448A / R-449A	AS*S2480Z*****	2.54	3.34
	AS*S2510Z*****	2.55	3.40
	AS*S2512Z*****	2.64	3.39
	AS*S2514Z*****	2.50	3.28
R-452A	AS*S2480Z*****	2.54	3.33
	AS*S2510Z*****	2.54	3.37
	AS*S2512Z*****	2.60	3.36
	AS*S2514Z*****	2.45	3.33

2 to 3-1/2 HP Low Temperature Platform (Tube Fin)

Performance Tables (R-404A)

80°F AMBIENT						
Model Number	Suction Temperature (SST)					
	-30°F	-25°F	-20°F	-10°F	0°F	10°F
AS*S2480Z*****	6,595	7,431	8,337	10,358	12,658	15,238
AS*S2510Z*****	7,904	8,879	9,926	12,237	14,836	17,723
AS*S2512Z*****	8,809	9,885	11,048	13,633	16,563	19,840
AS*S2514Z*****	10,624	11,955	13,382	16,524	20,054	23,969

90°F AMBIENT						
Model Number	Suction Temperature (SST)					
	-30°F	-25°F	-20°F	-10°F	0°F	10°F
AS*S2480Z*****	6,062	6,814	7,635	9,392	11,620	14,032
AS*S2510Z*****	7,269	8,155	9,111	11,242	13,660	16,368
AS*S2512Z*****	8,066	9,026	10,072	12,388	15,122	18,165
AS*S2514Z*****	9,660	10,826	12,087	14,705	18,100	21,685

95°F AMBIENT						
Model Number	Suction Temperature (SST)					
	-30°F	-25°F	-20°F	-10°F	0°F	10°F
AS*S2480Z*****	5,796	6,505	7,364	9,157	11,101	13,428
AS*S2510Z*****	6,952	7,792	8,666	10,903	13,073	15,690
AS*S2512Z*****	7,694	8,596	9,677	11,840	14,400	17,328
AS*S2514Z*****	9,179	10,261	11,544	14,192	17,122	20,543

100°F AMBIENT						
Model Number	Suction Temperature (SST)					
	-30°F	-25°F	-20°F	-10°F	0°F	10°F
AS*S2480Z*****	5,529	6,197	6,934	8,618	10,582	12,824
AS*S2510Z*****	6,635	7,430	8,296	10,247	12,485	15,013
AS*S2512Z*****	7,323	8,166	9,096	11,215	13,680	16,490
AS*S2514Z*****	8,697	9,697	10,794	13,277	16,145	19,401

110°F AMBIENT						
Model Number	Suction Temperature (SST)					
	-30°F	-25°F	-20°F	-10°F	0°F	10°F
AS*S2480Z*****	4,996	5,581	6,233	7,749	9,544	11,618
AS*S2510Z*****	6,001	6,705	7,481	9,252	11,310	13,657
AS*S2512Z*****	6,579	7,306	8,119	10,005	12,237	14,815
AS*S2514Z*****	7,733	8,569	9,500	11,653	14,191	17,116

*Return gas 40°F evaporator, Sub Cooling 5°F

Performance Tables (R-448A / R-449A)

80°F AMBIENT						
Model Number	Suction Temperature (SST)					
	-30°F	-25°F	-20°F	-10°F	0°F	10°F
AS*S2480Z*****	5,678	6,469	7,324	9,220	11,369	13,768
AS*S2510Z*****	6,778	7,700	8,695	10,903	13,404	16,195
AS*S2512Z*****	7,369	8,401	9,506	11,939	14,670	17,697
AS*S2514Z*****	8,921	10,133	11,431	14,289	17,495	21,050

90°F AMBIENT						
Model Number	Suction Temperature (SST)					
	-30°F	-25°F	-20°F	-10°F	0°F	10°F
AS*S2480Z*****	5,356	6,085	6,879	8,700	10,677	12,955
AS*S2510Z*****	6,319	7,169	8,091	10,255	12,510	15,157
AS*S2512Z*****	6,914	7,853	8,866	11,154	13,659	16,500
AS*S2514Z*****	8,338	9,428	10,604	13,580	16,181	19,493

95°F AMBIENT						
Model Number	Suction Temperature (SST)					
	-30°F	-25°F	-20°F	-10°F	0°F	10°F
AS*S2480Z*****	5,194	5,894	6,651	8,399	10,333	12,548
AS*S2510Z*****	6,090	6,903	7,797	10,023	12,063	14,637
AS*S2512Z*****	6,687	7,579	8,504	10,996	13,154	15,902
AS*S2514Z*****	8,046	9,075	10,668	13,269	15,525	18,715

100°F AMBIENT						
Model Number	Suction Temperature (SST)					
	-30°F	-25°F	-20°F	-10°F	0°F	10°F
AS*S2480Z*****	5,034	5,702	6,433	8,084	9,987	12,141
AS*S2510Z*****	5,861	6,638	7,488	9,407	11,617	14,119
AS*S2512Z*****	6,459	7,306	8,226	10,289	12,648	15,305
AS*S2514Z*****	7,754	8,722	9,777	12,148	14,868	17,936

110°F AMBIENT						
Model Number	Suction Temperature (SST)					
	-30°F	-25°F	-20°F	-10°F	0°F	10°F
AS*S2480Z*****	4,711	5,319	5,988	7,517	9,297	11,328
AS*S2510Z*****	5,402	6,106	6,884	8,658	10,724	13,081
AS*S2512Z*****	6,005	6,758	7,586	9,463	11,638	14,108
AS*S2514Z*****	7,169	8,017	8,950	11,079	13,555	16,380

Performance Tables (R-452A)

80°F AMBIENT						
Model Number	Suction Temperature (SST)					
	-30°F	-25°F	-20°F	-10°F	0°F	10°F
AS*S2480Z*****	6,073	6,881	7,757	9,719	11,959	14,477
AS*S2510Z*****	7,276	8,203	9,200	11,398	13,868	16,610
AS*S2512Z*****	7,910	8,949	10,058	12,481	15,178	18,151
AS*S2514Z*****	9,736	10,985	12,310	15,189	18,374	21,864

90°F AMBIENT						
Model Number	Suction Temperature (SST)					
	-30°F	-25°F	-20°F	-10°F	0°F	10°F
AS*S2480Z*****	5,605	6,342	7,147	8,968	11,067	13,443
AS*S2510Z*****	6,698	7,546	8,462	10,564	12,805	15,385
AS*S2512Z*****	7,328	8,265	9,272	11,490	13,982	16,749
AS*S2514Z*****	8,946	10,067	11,263	13,886	16,814	20,049

95°F AMBIENT						
Model Number	Suction Temperature (SST)					
	-30°F	-25°F	-20°F	-10°F	0°F	10°F
AS*S2480Z*****	5,372	6,072	6,843	8,593	10,620	12,926
AS*S2510Z*****	6,410	7,217	8,063	10,021	12,275	14,772
AS*S2512Z*****	7,037	7,923	8,879	10,994	13,384	16,048
AS*S2514Z*****	8,550	9,607	10,740	13,235	16,036	19,141

100°F AMBIENT						
Model Number	Suction Temperature (SST)					
	-30°F	-25°F	-20°F	-10°F	0°F	10°F
AS*S2480Z*****	5,137	5,804	6,538	8,217	10,174	12,410
AS*S2510Z*****	6,122	6,889	7,724	9,598	11,743	14,158
AS*S2512Z*****	6,747	7,582	8,485	10,498	12,785	15,347
AS*S2514Z*****	8,155	9,147	10,217	12,584	15,256	18,233

110°F AMBIENT						
Model Number	Suction Temperature (SST)					
	-30°F	-25°F	-20°F	-10°F	0°F	10°F
AS*S2480Z*****	4,669	5,265	5,929	7,467	9,283	11,376
AS*S2510Z*****	5,546	6,233	6,987	8,698	10,679	12,930
AS*S2512Z*****	6,166	6,988	7,899	9,506	11,589	13,945
AS*S2514Z*****	7,365	8,229	9,170	11,281	13,697	16,419