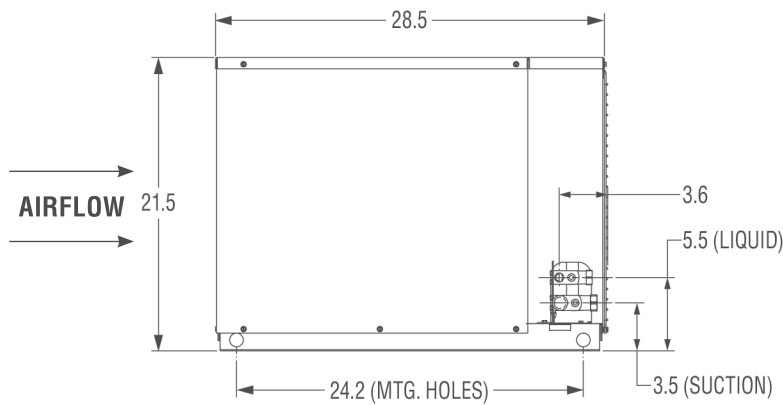
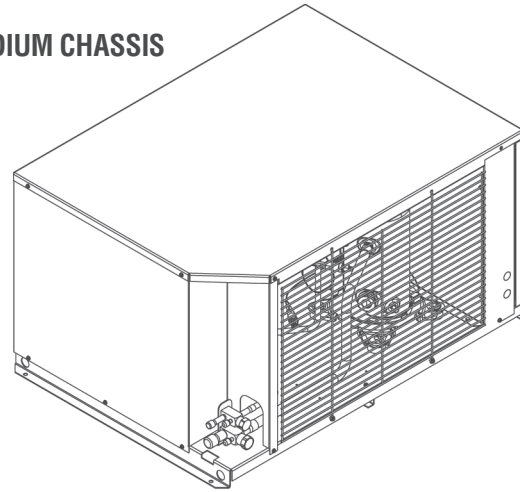


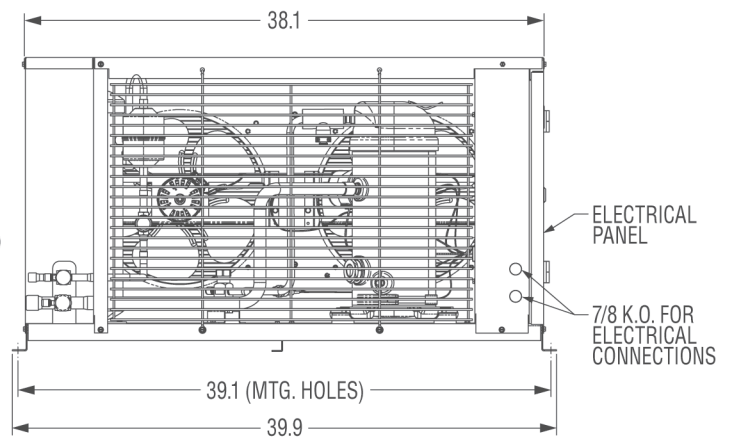
## 2 to 3-1/2 HP Low Temperature Platform (Tube Fin)

<b>Project Name:</b>	
<b>Customer Name:</b>	
<b>Model Number:</b>	
<b>Refrigerant:</b>	
<b>Job Location:</b>	
<b>Date:</b>	
<b>AWEF:</b>	

### MEDIUM CHASSIS



**SIDE VIEW**



**FRONT VIEW**

### Physical Data

ARGUS Series	Model Number	Compressor		Connections (inch)		Pump Down Capacity* (lbs) 90% @ 90°F Ambient			Net Weight (lbs)
		Model Number	HP	Liquid	Suction	R-404A	R-448A/R-449A	R-452A	
R-404A	AS*R2480ZNA***	AWA2480ZXN	2	1/2" S	5/8" S	18.36	19.35	19.79	238
R-448A	AS*R2480ZFA***	AWA2480ZXT	2	1/2" S	5/8" S	18.36	19.35	19.79	238
R-449A	AS*R2510ZNA***	AWA2510NA	2-1/2	1/2" S	5/8" S	18.36	19.35	19.79	238
R-452A	AS*R2510ZFA***	AWA2510FA	2-1/2	1/2" S	5/8" S	18.36	19.35	19.79	238

\*Receiver + Coil Capacity

### Electrical Data

Model Number	Power Supply	Compressor		Condensing Unit		Fan Motor (PSC)			Fan Motor (EC)		
	Volts/Hz/Ph	RLA	LRA	MCA*	MOPD	Qty	HP	FLA	Qty	HP	FLA
AS*R2480ZNA***	208-230/60/1	12.6	73.1	16.8	25	2	1/20	0.45	2	1/20	0.5
AS*R2480ZFA***	208-230/60/3	8.4	63.4	11.6	15	2	1/20	0.45	2	1/20	0.5
AS*R2510ZNA***	208-230/60/1	14.7	80.0	19.5	30	2	1/20	0.45	2	1/20	0.5
AS*R2510ZFA***	208-230/60/3	8.3	63.0	11.5	15	2	1/20	0.45	2	1/20	0.5

\*Add .21 Amps for Heated Receiver

### DOE AWEF (AHRI 1250)

AWEF Table	Model Number	Indoor	Outdoor
R-404A	AS*R2480Z*****	2.46	3.29
	AS*R2510Z*****	2.57	3.31
R-448A/R-449A	AS*R2480Z*****	2.37	3.12
	AS*R2510Z*****	2.49	3.23
R-452A	AS*R2480Z*****	2.35	3.17
	AS*R2510Z*****	2.42	3.16

## 2 to 3-1/2 HP Low Temperature Platform (Tube Fin)

### Performance Tables (R-404A)

80°F AMBIENT						
Model Number	Suction Temperature (SST)					
	-30°F	-25°F	-20°F	-10°F	0°F	10°F
AS*R2480Z*****	5,971	7,212	8,492	11,169	14,000	16,986
AS*R2510Z*****	10,159	10,689	11,183	12,807	15,790	19,108

90°F AMBIENT						
Model Number	Suction Temperature (SST)					
	-30°F	-25°F	-20°F	-10°F	0°F	10°F
AS*R2480Z*****	5,020	6,168	7,354	9,843	12,487	15,286
AS*R2510Z*****	8,064	8,555	9,064	11,277	13,740	17,177

95°F AMBIENT						
Model Number	Suction Temperature (SST)					
	-30°F	-25°F	-20°F	-10°F	0°F	10°F
AS*R2480Z*****	4,545	5,646	6,785	9,180	11,730	14,435
AS*R2510Z*****	7,017	7,486	8,232	10,192	12,715	16,211

100°F AMBIENT						
Model Number	Suction Temperature (SST)					
	-30°F	-25°F	-20°F	-10°F	0°F	10°F
AS*R2480Z*****	4,070	5,124	6,216	8,518	10,974	13,585
AS*R2510Z*****	5,970	6,419	7,143	9,107	11,690	15,246

110°F AMBIENT						
Model Number	Suction Temperature (SST)					
	-30°F	-25°F	-20°F	-10°F	0°F	10°F
AS*R2480Z*****	—	4,080	5,078	7,192	9,461	11,884
AS*R2510Z*****	—	4,488	5,211	6,938	9,639	13,315

### Performance Tables (R-448A / R-449A)

80°F AMBIENT						
Model Number	Suction Temperature (SST)					
	-30°F	-25°F	-20°F	-10°F	0°F	10°F
AS*R2480Z*****	4,316	5,490	6,750	9,530	12,654	16,124
AS*R2510Z*****	7,349	8,695	9,715	11,766	14,586	17,292

90°F AMBIENT						
Model Number	Suction Temperature (SST)					
	-30°F	-25°F	-20°F	-10°F	0°F	10°F
AS*R2480Z*****	3,612	4,690	5,854	8,441	11,374	14,651
AS*R2510Z*****	5,778	6,904	7,785	10,136	12,278	14,871

95°F AMBIENT						
Model Number	Suction Temperature (SST)					
	-30°F	-25°F	-20°F	-10°F	0°F	10°F
AS*R2480Z*****	3,260	4,290	5,406	7,897	10,733	13,915
AS*R2510Z*****	4,995	6,011	7,021	9,037	11,134	13,662

100°F AMBIENT						
Model Number	Suction Temperature (SST)					
	-30°F	-25°F	-20°F	-10°F	0°F	10°F
AS*R2480Z*****	2,908	3,890	4,958	7,353	10,093	13,179
AS*R2510Z*****	—	—	6,039	7,948	9,998	12,456

110°F AMBIENT						
Model Number	Suction Temperature (SST)					
	-30°F	-25°F	-20°F	-10°F	0°F	10°F
AS*R2480Z*****	—	—	—	6,264	8,812	11,706
AS*R2510Z*****	—	—	—	—	8,029	10,052

### Performance Tables (R-452A)

80°F AMBIENT						
Model Number	Suction Temperature (SST)					
	-30°F	-25°F	-20°F	-10°F	0°F	10°F
AS*R2480Z*****	4,864	6,159	7,482	10,213	13,055	16,009
AS*R2510Z*****	8,622	9,269	9,852	11,533	14,429	17,644

90°F AMBIENT						
Model Number	Suction Temperature (SST)					
	-30°F	-25°F	-20°F	-10°F	0°F	10°F
AS*R2480Z*****	4,021	5,221	6,448	8,986	11,636	14,398
AS*R2510Z*****	6,740	7,360	7,959	10,174	12,613	15,957

95°F AMBIENT						
Model Number	Suction Temperature (SST)					
	-30°F	-25°F	-20°F	-10°F	0°F	10°F
AS*R2480Z*****	3,600	4,751	5,931	8,373	10,927	13,593
AS*R2510Z*****	5,806	6,408	7,215	9,206	11,703	15,113

100°F AMBIENT						
Model Number	Suction Temperature (SST)					
	-30°F	-25°F	-20°F	-10°F	0°F	10°F
AS*R2480Z*****	3,179	4,282	5,413	7,759	10,217	12,787
AS*R2510Z*****	—	5,461	6,244	8,236	10,792	14,270

110°F AMBIENT						
Model Number	Suction Temperature (SST)					
	-30°F	-25°F	-20°F	-10°F	0°F	10°F
AS*R2480Z*****	—	—	4,379	6,533	8,798	11,176
AS*R2510Z*****	—	—	—	6,295	8,964	12,580

\*Return gas 40°F evaporator, Sub Cooling 5°F