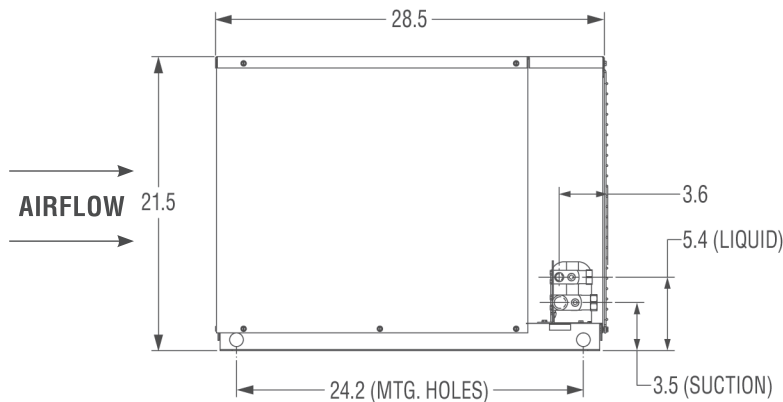
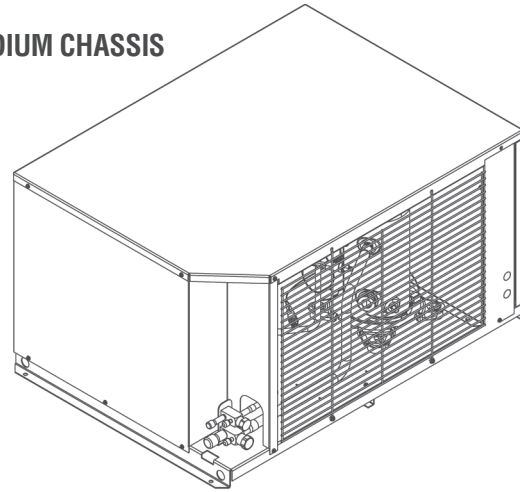


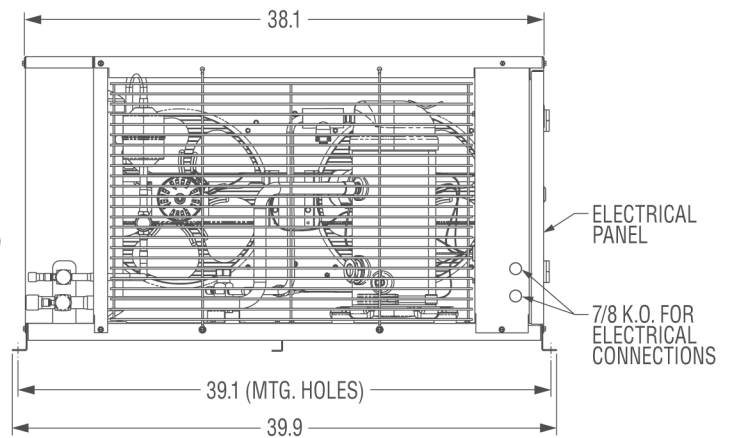
## 2 to 3-1/2 HP Low Temperature Platform (Microchannel)

<b>Project Name:</b>	
<b>Customer Name:</b>	
<b>Model Number:</b>	
<b>Refrigerant:</b>	
<b>Job Location:</b>	
<b>Date:</b>	
<b>AWEF:</b>	

### MEDIUM CHASSIS



**SIDE VIEW**



**FRONT VIEW**

### Physical Data – Scroll

ARGUS Series	Model Number	Compressor		Connections (inch)		Pump Down Capacity* (lbs) 90% @ 90°F Ambient / R-404A		Net Weight (lbs)
		Model Number	HP	Liquid	Suction	Standard	Oversized	
R-404A R-448A R-449A R-452A	AS*S2480ZNA***	VS2480Z-NA9A	2	1/2" S	7/8" S	18.36	23.08	238
	AS*S2480ZFA***	VS2480Z-FA1A	2	1/2" S	7/8" S	18.36	23.08	238
	AS*S2510ZNA***	VS2510Z-NA9A	2-1/2	1/2" S	7/8" S	18.36	23.08	234
	AS*S2510ZFA***	VS2510Z-FA1A	2-1/2	1/2" S	7/8" S	18.36	23.08	234
	AS*S2512ZNA***	VS2511Z-NA9A	3	1/2" S	7/8" S	18.36	23.08	234
	AS*S2512ZFA***	VS2511Z-FA1A	3	1/2" S	7/8" S	18.36	23.08	234
	AS*S2514ZNA***	VS2513Z-NA9A	3-1/2	1/2" S	7/8" S	18.36	23.08	239
	AS*S2514ZFA***	VS2513Z-FA1A	3-1/2	1/2" S	7/8" S	18.36	23.08	239

\*Receiver + Coil Capacity

### DOE AWEF (AHRI 1250)

AWEF Table	Model Number	Indoor	Outdoor
R-404A	AS*S2480Z*****	2.69	3.50
	AS*S2510Z*****	2.57	3.54
	AS*S2512Z*****	2.60	3.58
	AS*S2514Z*****	2.60	3.50
R-448A / R-449A	AS*S2480Z*****	2.53	3.33
	AS*S2510Z*****	2.50	3.36
	AS*S2512Z*****	2.58	3.41
	AS*S2514Z*****	2.57	3.30
R-452A	AS*S2480Z*****	2.55	3.42
	AS*S2510Z*****	2.50	3.45
	AS*S2512Z*****	2.55	3.51
	AS*S2514Z*****	2.51	3.49

### Electrical Data – Scroll

Model Number	Power Supply	Compressor		Condensing Unit		Fan Motor (PSC)			Fan Motor (EC)		
	Volts/Hz/Ph	RLA	LRA	MCA*	MOPD	Qty	HP	FLA	Qty	HP	FLA
AS*S2480ZNA***	208-230V/60Hz/1	11.3	45.5	16.8	30	2	1/20	0.45	2	1/20	0.05
AS*S2480ZFA***	208-230V/60Hz/3	8.4	99.0	11.7	20	2	1/20	0.45	2	1/20	0.05
AS*S2510ZNA***	208-230V/60Hz/1	15.4	76.0	20.4	30	2	1/20	0.45	2	1/20	0.05
AS*S2510ZFA***	208-230V/60Hz/3	9.4	99.0	12.9	20	2	1/20	0.45	2	1/20	0.05
AS*S2512ZNA***	208-230V/60Hz/1	14.8	76.0	20.4	35	2	1/20	0.45	2	1/20	0.05
AS*S2512ZFA***	208-230V/60Hz/3	10.0	99.0	13.7	20	2	1/20	0.45	2	1/20	0.05
AS*S2514ZNA***	208-230V/60Hz/1	18.4	76.0	24.2	40	2	1/20	0.45	2	1/20	0.05
AS*S2514ZFA***	208-230V/60Hz/3	13.0	136.0	17.4	30	2	1/20	0.45	2	1/20	0.05

\*Add .21 Amps for Heated Receiver

## 2 to 3-1/2 HP Low Temperature Platform (Microchannel)

### Performance Tables (R-404A)

80°F AMBIENT						
Model Number	Suction Temperature (SST)					
	-30°F	-25°F	-20°F	-10°F	0°F	10°F
AS*S2480Z*****	6,582	7,417	8,321	10,338	12,634	15,209
AS*S2510Z*****	7,944	8,924	9,976	12,298	14,911	17,812
AS*S2512Z*****	8,739	9,807	10,960	13,525	16,432	19,683
AS*S2514Z*****	10,603	11,931	13,355	16,491	20,014	23,921

90°F AMBIENT						
Model Number	Suction Temperature (SST)					
	-30°F	-25°F	-20°F	-10°F	0°F	10°F
AS*S2480Z*****	6,051	6,801	7,621	9,374	11,598	14,005
AS*S2510Z*****	7,306	8,196	9,157	11,298	13,729	16,450
AS*S2512Z*****	8,002	8,954	9,992	12,290	15,002	18,021
AS*S2514Z*****	9,641	10,804	12,063	14,676	18,064	21,642

95°F AMBIENT						
Model Number	Suction Temperature (SST)					
	-30°F	-25°F	-20°F	-10°F	0°F	10°F
AS*S2480Z*****	5,785	6,493	7,350	9,140	11,080	13,403
AS*S2510Z*****	6,987	7,831	8,710	10,958	13,139	15,769
AS*S2512Z*****	7,633	8,528	9,600	11,746	14,286	17,190
AS*S2514Z*****	9,161	10,241	11,521	14,164	17,088	20,502

100°F AMBIENT						
Model Number	Suction Temperature (SST)					
	-30°F	-25°F	-20°F	-10°F	0°F	10°F
AS*S2480Z*****	5,519	6,185	6,921	8,602	10,562	12,800
AS*S2510Z*****	6,668	7,467	8,338	10,298	12,548	15,088
AS*S2512Z*****	7,265	8,101	9,024	11,126	13,571	16,359
AS*S2514Z*****	8,680	9,678	10,772	13,250	16,113	19,362

110°F AMBIENT						
Model Number	Suction Temperature (SST)					
	-30°F	-25°F	-20°F	-10°F	0°F	10°F
AS*S2480Z*****	4,987	5,570	6,221	7,734	9,526	11,596
AS*S2510Z*****	6,031	6,739	7,519	9,298	11,367	13,726
AS*S2512Z*****	6,527	7,248	8,055	9,926	12,140	14,697
AS*S2514Z*****	7,718	8,552	9,481	11,630	14,163	17,082

### Performance Tables (R-448A / R-449A)

80°F AMBIENT						
Model Number	Suction Temperature (SST)					
	-30°F	-25°F	-20°F	-10°F	0°F	10°F
AS*S2480Z*****	5,667	6,456	7,309	9,202	11,346	13,741
AS*S2510Z*****	6,812	7,739	8,739	10,958	13,471	16,276
AS*S2512Z*****	7,519	8,572	9,700	12,183	14,969	18,058
AS*S2514Z*****	8,948	10,163	11,465	14,332	17,548	21,113

90°F AMBIENT						
Model Number	Suction Temperature (SST)					
	-30°F	-25°F	-20°F	-10°F	0°F	10°F
AS*S2480Z*****	5,345	6,073	6,865	8,683	10,656	12,929
AS*S2510Z*****	6,351	7,205	8,132	10,307	12,573	15,233
AS*S2512Z*****	7,055	8,013	9,047	11,382	13,938	16,837
AS*S2514Z*****	8,363	9,456	10,636	13,621	16,230	19,552

95°F AMBIENT						
Model Number	Suction Temperature (SST)					
	-30°F	-25°F	-20°F	-10°F	0°F	10°F
AS*S2480Z*****	5,184	5,882	6,637	8,382	10,312	12,523
AS*S2510Z*****	6,121	6,938	7,836	10,073	12,124	14,711
AS*S2512Z*****	6,823	7,734	8,684	11,220	13,422	16,227
AS*S2514Z*****	8,070	9,102	10,700	13,309	15,572	18,771

100°F AMBIENT						
Model Number	Suction Temperature (SST)					
	-30°F	-25°F	-20°F	-10°F	0°F	10°F
AS*S2480Z*****	5,024	5,691	6,420	8,068	9,967	12,117
AS*S2510Z*****	5,890	6,671	7,526	9,454	11,675	14,190
AS*S2512Z*****	6,591	7,455	8,394	10,499	12,906	15,617
AS*S2514Z*****	7,777	8,748	9,806	12,185	14,913	17,990

110°F AMBIENT						
Model Number	Suction Temperature (SST)					
	-30°F	-25°F	-20°F	-10°F	0°F	10°F
AS*S2480Z*****	4,702	5,308	5,976	7,502	9,278	11,305
AS*S2510Z*****	5,429	6,137	6,919	8,702	10,778	13,147
AS*S2512Z*****	6,128	6,896	7,741	9,656	11,875	14,396
AS*S2514Z*****	7,191	8,041	8,977	11,112	13,596	16,429

### Performance Tables (R-452A)

80°F AMBIENT						
Model Number	Suction Temperature (SST)					
	-30°F	-25°F	-20°F	-10°F	0°F	10°F
AS*S2480Z*****	6,061	6,867	7,742	9,700	11,935	14,448
AS*S2510Z*****	7,312	8,245	9,246	11,455	13,938	16,693
AS*S2512Z*****	8,071	9,132	10,263	12,736	15,488	18,521
AS*S2514Z*****	9,765	11,018	12,347	15,235	18,429	21,930

90°F AMBIENT						
Model Number	Suction Temperature (SST)					
	-30°F	-25°F	-20°F	-10°F	0°F	10°F
AS*S2480Z*****	5,594	6,329	7,133	8,950	11,045	13,416
AS*S2510Z*****	6,732	7,584	8,504	10,617	12,870	15,463
AS*S2512Z*****	7,478	8,434	9,461	11,724	14,267	17,091
AS*S2514Z*****	8,973	10,097	11,297	13,928	16,865	20,109

95°F AMBIENT						
Model Number	Suction Temperature (SST)					
	-30°F	-25°F	-20°F	-10°F	0°F	10°F
AS*S2480Z*****	5,361	6,060	6,829	8,576	10,599	12,900
AS*S2510Z*****	6,442	7,253	8,092	10,071	12,336	14,846
AS*S2512Z*****	7,181	8,085	9,060	11,218	13,657	16,376
AS*S2514Z*****	8,576	9,636	10,772	13,275	16,084	19,199

100°F AMBIENT						
Model Number	Suction Temperature (SST)					
	-30°F	-25°F	-20°F	-10°F	0°F	10°F
AS*S2480Z*****	5,127	5,792	6,525	8,201	10,154	12,385
AS*S2510Z*****	6,153	6,923	7,763	9,646	11,802	14,229
AS*S2512Z*****	6,885	7,737	8,658	10,712	13,046	15,660
AS*S2514Z*****	8,180	9,175	10,248	12,622	15,302	18,288

110°F AMBIENT						
Model Number	Suction Temperature (SST)					
	-30°F	-25°F	-20°F	-10°F	0°F	10°F
AS*S2480Z*****	4,660	5,254	5,917	7,452	9,264	11,353
AS*S2510Z*****	5,574	6,264	7,022	8,742	10,733	12,995
AS*S2512Z*****	6,292	7,039	7,856	9,700	11,825	14,230
AS*S2514Z*****	7,387	8,254	9,198	11,315	13,738	16,468

\*Return gas 40°F evaporator, Sub Cooling 5°F