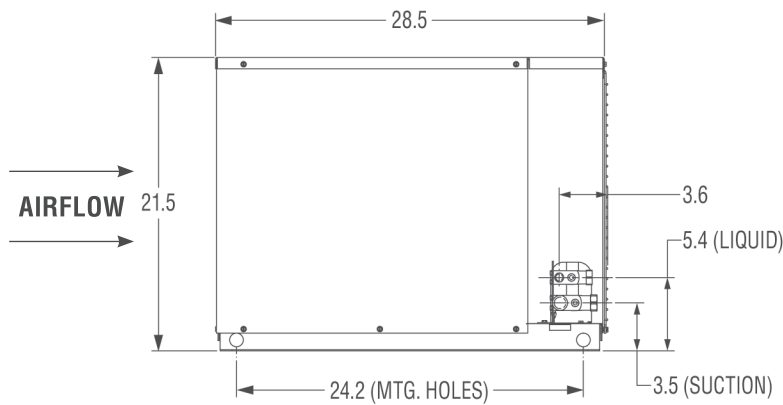
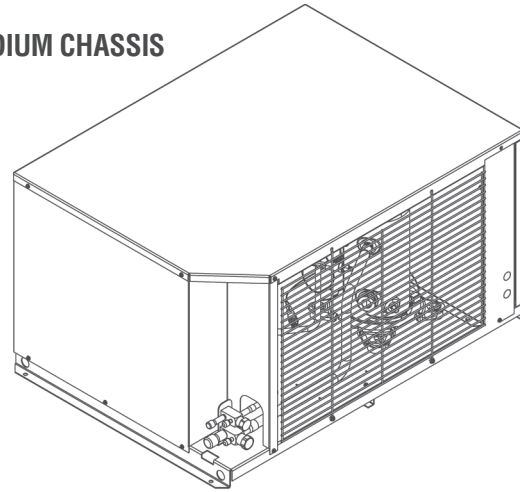


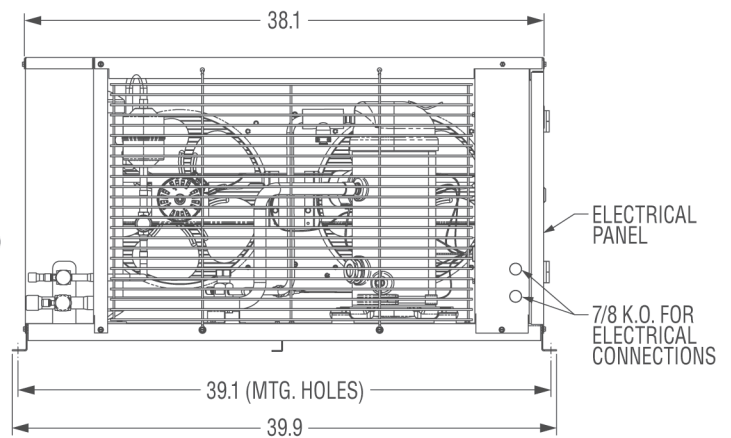
2 to 3-1/2 HP Low Temperature Platform (Microchannel)

Project Name:	
Customer Name:	
Model Number:	
Refrigerant:	
Job Location:	
Date:	
AWEF:	

MEDIUM CHASSIS



SIDE VIEW



FRONT VIEW

Physical Data

ARGUS Series	Model Number	Compressor		Connections (inch)		Receiver Capacity (lbs)		Net Weight (lbs)
		Model Number	HP	Liquid	Suction	R-404A	R-452A	
R-404A R-452A	AS*R2480Z*****	AWA2480ZXN	2.0	1/2" S	5/8" S	18.36	19.79	238
	AS*R2510Z*****	TBD	2-1/2			TBD		
	AS*R2512Z*****	AVA2512ZXN	3.0	1/2" S	7/8" S	18.36	19.79	260

Electrical Data

Model Number	Power Supply	Compressor		Fan Motor (PSC)			Fan Motor (PSC)		
	Volts/Hz/Ph	RLA	LRA	Qty	HP	FLA	Qty	HP	FLA
AS*R2480Z*****	208-230/6z/1	12.6	73.1	2	1/20	0.45	2	1/20	0.5
AS*R2510Z*****	TBD								
AS*R2512Z*****	208-230/60/1	20.8	120.3	2	1/20	0.45	2	1/20	0.5

DOE AWEF (AHRI 1250)

AWEF Table	Model Number	Indoor	Outdoor
R-404A	AS*R2480Z*****	2.50	3.23
	AS*R2510Z*****		
	AS*R2512Z*****	2.90	3.21
R-452A	AS*R2480Z*****	2.35	3.11
	AS*R2510Z*****		
	AS*R2512Z*****	2.36	3.14

2 to 3-1/2 HP Low Temperature Platform (Microchannel)

Capacity Tables (BTUH) (R-404A)

80°F AMBIENT						
Model Number	Suction Temperature (SST)					
	-30°F	-25°F	-20°F	-10°F	0°F	10°F
AS*R2480Z*****	5,950	7,200	8,450	11,150	14,000	16,950
AS*R2510Z*****						
AS*R2512Z*****	9,450	11,250	13,100	16,900	20,900	25,000

90°F AMBIENT						
Model Number	Suction Temperature (SST)					
	-30°F	-25°F	-20°F	-10°F	0°F	10°F
AS*R2480Z*****	5,020	6,150	7,350	9,840	12,450	15,250
AS*R2510Z*****						
AS*R2512Z*****	8,150	9,850	11,550	15,050	18,750	22,600

95°F AMBIENT						
Model Number	Suction Temperature (SST)					
	-30°F	-25°F	-20°F	-10°F	0°F	10°F
AS*R2480Z*****	4,540	5,600	6,750	9,150	11,170	14,420
AS*R2510Z*****						
AS*R2512Z*****	7,500	9,100	10,750	14,150	17,700	21,400

100°F AMBIENT						
Model Number	Suction Temperature (SST)					
	-30°F	-25°F	-20°F	-10°F	0°F	10°F
AS*R2480Z*****	4,050	5,115	6,200	8,518	10,915	13,543
AS*R2510Z*****						
AS*R2512Z*****	—	8,423	9,986	13,235	16,647	20,223

110°F AMBIENT						
Model Number	Suction Temperature (SST)					
	-30°F	-25°F	-20°F	-10°F	0°F	10°F
AS*R2480Z*****	—	4,030	5,050	7,145	9,425	11,850
AS*R2510Z*****						
AS*R2512Z*****	—	—	—	11,350	14,500	17,800

Capacity Tables (BTUH) (R-452A)

80°F AMBIENT						
Model Number	Suction Temperature (SST)					
	-30°F	-25°F	-20°F	-10°F	0°F	10°F
AS*R2480Z*****	4,850	6,150	7,450	10,200	13,050	16,000
AS*R2510Z*****						
AS*R2512Z*****	8,050	9,950	11,850	15,850	19,900	24,100

90°F AMBIENT						
Model Number	Suction Temperature (SST)					
	-30°F	-25°F	-20°F	-10°F	0°F	10°F
AS*R2480Z*****	4,000	5,215	6,425	8,950	11,600	1,4350
AS*R2510Z*****						
AS*R2512Z*****	6,911	8,650	10,421	14,061	17,829	2,1727

95°F AMBIENT						
Model Number	Suction Temperature (SST)					
	-30°F	-25°F	-20°F	-10°F	0°F	10°F
AS*R2480Z*****	3,600	4,750	5,930	8,350	10,900	13,550
AS*R2510Z*****						
AS*R2512Z*****	6,300	7,950	9,650	13,150	16,750	20,520

100°F AMBIENT						
Model Number	Suction Temperature (SST)					
	-30°F	-25°F	-20°F	-10°F	0°F	10°F
AS*R2480Z*****	3,135	4,250	5,400	7,735	10,200	12,740
AS*R2510Z*****						
AS*R2512Z*****	—	7,300	8,925	12,220	15,680	19,300

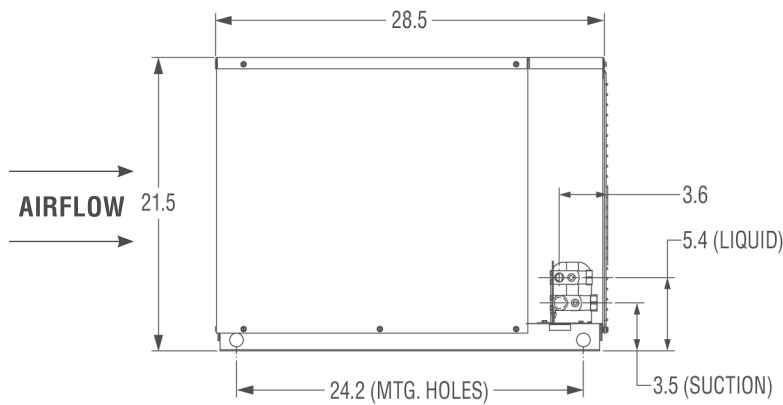
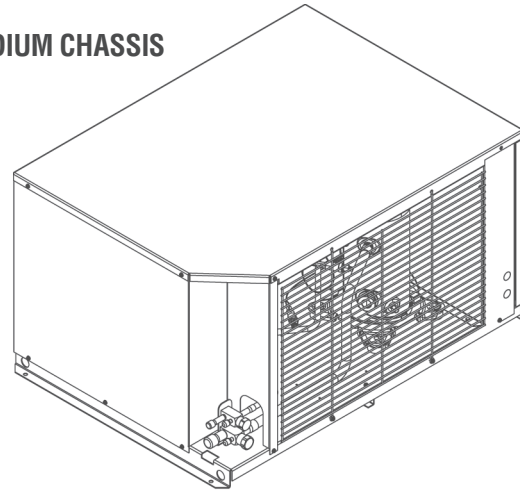
110°F AMBIENT						
Model Number	Suction Temperature (SST)					
	-30°F	-25°F	-20°F	-10°F	0°F	10°F
AS*R2480Z*****	—	—	4,379	6,533	8,798	11,140
AS*R2510Z*****						
AS*R2512Z*****	—	—	—	10,450	13,615	16,900

*Return gas 40°F evaporator, Sub Cooling 5°F

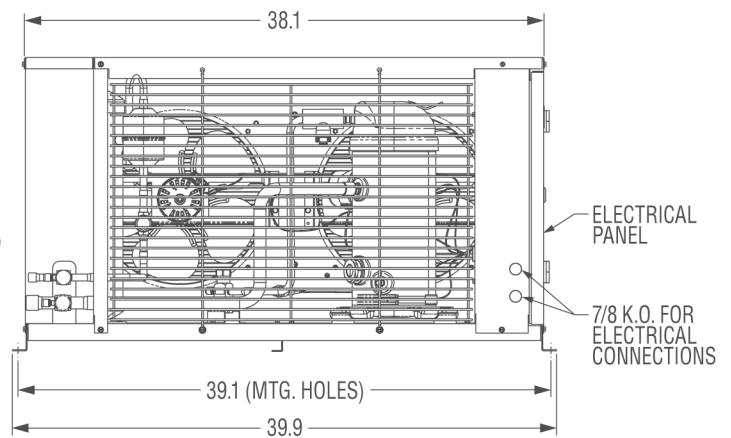
2 to 3-1/2 HP Low Temperature Platform (Tube Fin)

Project Name:	
Customer Name:	
Model Number:	
Refrigerant:	
Job Location:	
Date:	
AWEF:	

MEDIUM CHASSIS



SIDE VIEW



FRONT VIEW

Physical Data

ARGUS Series	Model Number	Compressor		Connections (inch)		Receiver Capacity (lbs)		Net Weight (lbs)
		Model Number	HP	Liquid	Suction	R-404A	R-452A	
R-404A R-452A	AS*R2480Z*****	AWA2480ZXN	2.0	1/2" S	5/8" S	18.36	19.79	238
	AS*R2510Z*****	TBD	2-1/2			TBD		
	AS*R2512Z*****	AVA2512ZXN	3.0	1/2" S	7/8" S	18.36	19.79	260

DOE AWEF (AHRI 1250)

AWEF Table	Model Number	Indoor	Outdoor
R-404A	AS*R2480Z*****	2.46	3.29
	AS*R2510Z*****		
	AS*R2512Z*****	2.93	3.28
R-452A	AS*R2480Z*****	2.35	3.17
	AS*R2510Z*****		
	AS*R2512Z*****	2.77	3.30

Electrical Data

Model Number	Power Supply	Compressor		Fan Motor (PSC)			Fan Motor (PSC)		
	Volts/Hz/Ph	RLA	LRA	Qty	HP	FLA	Qty	HP	FLA
AS*R2480Z*****	208-230/60/1	12.6	73.1	2	1/20	0.45	2	1/20	0.5
AS*R2510Z*****	TBD								
AS*R2512Z*****	208-230/60/1	20.8	120.3	2	1/20	0.45	2	1/20	0.5

2 to 3-1/2 HP Low Temperature Platform (Tube Fine)

Capacity Tables (BTUH) (R-404A)

80°F AMBIENT						
Model Number	Suction Temperature (SST)					
	-30°F	-25°F	-20°F	-10°F	0°F	10°F
AS*R2480Z*****	5,971	7,212	8,492	11,169	14,000	16,986
AS*R2510Z*****						
AS*R2512Z*****	9,483	11,285	13,128	16,937	20,909	25,046

90°F AMBIENT						
Model Number	Suction Temperature (SST)					
	-30°F	-25°F	-20°F	-10°F	0°F	10°F
AS*R2480Z*****	5,020	6,168	7,354	9,843	12,487	15,286
AS*R2510Z*****						
AS*R2512Z*****	8,192	9,854	11,557	15,086	18,778	22,634

95°F AMBIENT						
Model Number	Suction Temperature (SST)					
	-30°F	-25°F	-20°F	-10°F	0°F	10°F
AS*R2480Z*****	4,545	5,646	6,785	9,180	11,730	14,435
AS*R2510Z*****						
AS*R2512Z*****	7,547	9,139	10,772	14,160	17,713	21,429

100°F AMBIENT						
Model Number	Suction Temperature (SST)					
	-30°F	-25°F	-20°F	-10°F	0°F	10°F
AS*R2480Z*****	4,070	5,124	6,216	8,518	10,974	13,585
AS*R2510Z*****						
AS*R2512Z*****	—	8,400	9,950	13,200	16,625	20,200

110°F AMBIENT						
Model Number	Suction Temperature (SST)					
	-30°F	-25°F	-20°F	-10°F	0°F	10°F
AS*R2480Z*****	—	4,080	5,078	7,192	9,461	11,884
AS*R2510Z*****						
AS*R2512Z*****	—	—	—	11,384	14,516	17,812

Capacity Tables (BTUH) (R-449A)

80°F AMBIENT						
Model Number	Suction Temperature (SST)					
	-30°F	-25°F	-20°F	-10°F	0°F	10°F
AS*R2480Z*****	4,864	6,159	7,482	10,213	13,055	16,009
AS*R2510Z*****						
AS*R2512Z*****	8,077	9,971	11,897	15,846	19,925	24,132

90°F AMBIENT						
Model Number	Suction Temperature (SST)					
	-30°F	-25°F	-20°F	-10°F	0°F	10°F
AS*R2480Z*****	4,021	5,221	6,448	8,986	11,636	14,398
AS*R2510Z*****						
AS*R2512Z*****	6,900	8,625	10,400	14,000	17,810	21,700

95°F AMBIENT						
Model Number	Suction Temperature (SST)					
	-30°F	-25°F	-20°F	-10°F	0°F	10°F
AS*R2480Z*****	3,600	4,751	5,931	8,373	10,927	13,593
AS*R2510Z*****						
AS*R2512Z*****	6,328	7,989	9,683	13,168	16,782	20,525

100°F AMBIENT						
Model Number	Suction Temperature (SST)					
	-30°F	-25°F	-20°F	-10°F	0°F	10°F
AS*R2480Z*****	3,179	4,282	5,413	7,759	10,217	12,787
AS*R2510Z*****						
AS*R2512Z*****	—	7,329	8,945	12,275	15,734	19,322

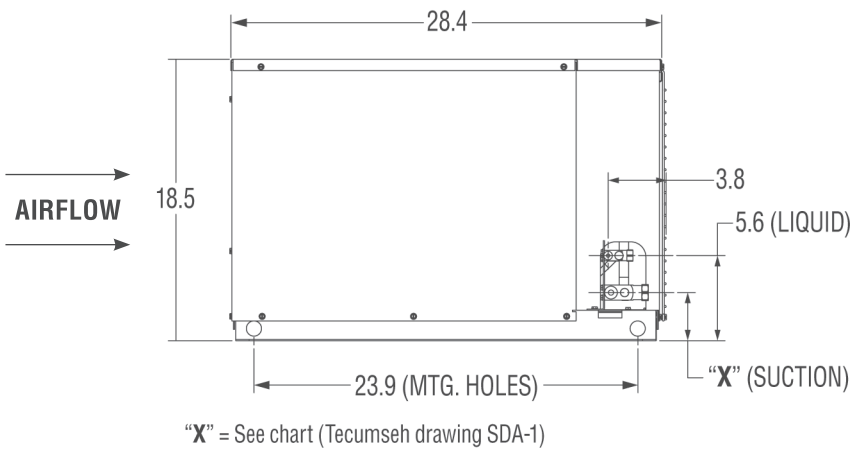
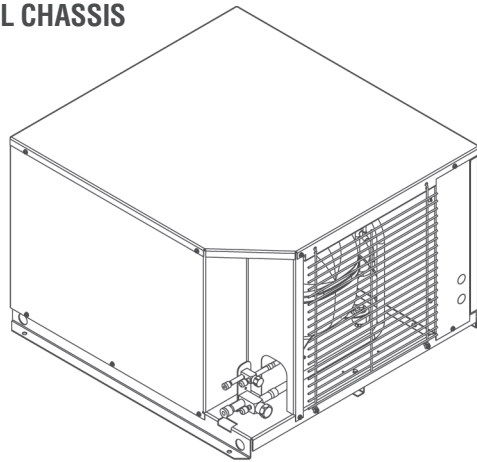
110°F AMBIENT						
Model Number	Suction Temperature (SST)					
	-30°F	-25°F	-20°F	-10°F	0°F	10°F
AS*R2480Z*****	—	—	4,379	6,533	8,798	11,176
AS*R2510Z*****						
AS*R2512Z*****	—	—	—	10,490	13,639	16,918

*Return gas 40°F evaporator, Sub Cooling 5°F

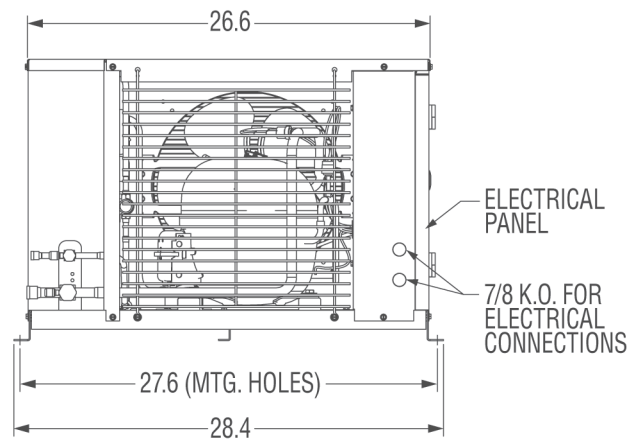
1/2 to 1-1/2 HP Low Temperature Platform (Tube Fin)

Project Name:	
Customer Name:	
Model Number:	
Refrigerant:	
Job Location:	
Date:	
AWEF:	

SMALL CHASSIS



SIDE VIEW



FRONT VIEW

Physical Data

ARGUS Series	Model Number	Compressor		Connections (inch)		Receiver Capacity (lbs)		Net Weight (lbs)
		Model Number	HP	Liquid	Suction	R-404A	R-452A	
R-404A R-452A	AS*R2430Z*****	AK2430Z-NA3C	3/4	3/8" S	5/8" S	9.84	10.22	159
	AS*R2440Z*****	AK2436Z-NA3C	1.0	3/8" S	5/8" S	9.84	10.22	159
	AS*R2450Z*****	AK2448Z-NA3C	1-1/4	3/8" S	5/8" S	9.84	10.22	159
	AS*R2460Z*****	AWA2450ZXD	1-1/2	3/8" S	5/8" S	9.84	10.22	196

DOE AWEF (AHRI 1250)

AWEF Table	Model Number	Indoor	Outdoor
R-404A	AS*R2430Z*****	2.5	3.3
	AS*R2440Z*****	2.5	3.3
	AS*R2450Z*****	2.5	3.3
	AS*R2460Z*****	2.3	3.2
R-452A	AS*R2430Z*****	2.3	3.2
	AS*R2440Z*****	2.3	3.1
	AS*R2450Z*****	2.3	3.1
	AS*R2460Z*****	2.1	3.0

Electrical Data

Model Number	Power Supply	Compressor		Fan Motor (PSC)			Fan Motor (PSC)		
	Volts/Hz/Ph	RLA	LRA	Qty	HP	FLA	Qty	HP	FLA
AS*R2430Z*****	208-230/60/1	3.7	22.0	1	1/20	0.45	1	1/20	0.5
AS*R2440Z*****	208-230/60/1	4.2	29.7	1	1/20	0.45	1	1/20	0.5
AS*R2450Z*****	208-230/60/1	5.9	32.4	1	1/20	0.45	1	1/20	0.5
AS*R2460Z*****	208-230/60/1	9.4	56.0	1	1/20	0.45	1	1/20	0.5

1/2 to 1-1/2 HP Low Temperature Platform (Tube Fin)

Capacity Tables (BTUH) (R-404A)

80°F AMBIENT						
Model Number	Suction Temperature (SST)					
	-30°F	-25°F	-20°F	-10°F	0°F	10°F
AS*R2430Z*****	1,926	2,349	2,794	3,750	4,795	5,528
AS*R2440Z*****	2,209	2,704	3,190	4,134	5,043	5,715
AS*R2450Z*****	3,300	3,790	4,215	5,010	6,875	7,950
AS*R2460Z*****	3,589	4,496	5,438	7,423	9,544	11,801

90°F AMBIENT						
Model Number	Suction Temperature (SST)					
	-30°F	-25°F	-20°F	-10°F	0°F	10°F
AS*R2430Z*****	1,528	1,921	2,190	3,080	4,215	5,287
AS*R2440Z*****	1,873	2,352	2,821	3,733	4,610	5,450
AS*R2450Z*****	2,950	3,210	3,460	4,650	6,155	7,100
AS*R2460Z*****	3,009	3,821	4,667	6,462	8,392	10,459

95°F AMBIENT						
Model Number	Suction Temperature (SST)					
	-30°F	-25°F	-20°F	-10°F	0°F	10°F
AS*R2430Z*****	1,330	1,707	2,060	2,870	3,925	4,966
AS*R2440Z*****	1,705	2,176	2,637	3,533	4,393	5,217
AS*R2450Z*****	2,760	3,010	3,275	4,400	5,810	6,715
AS*R2460Z*****	2,795	3,483	4,450	6,050	7,816	9,788

100°F AMBIENT						
Model Number	Suction Temperature (SST)					
	-30°F	-25°F	-20°F	-10°F	0°F	10°F
AS*R2430Z*****	1,131	1,493	1,877	2,712	3,634	4,646
AS*R2440Z*****	1,537	1,999	2,453	3,333	4,177	4,985
AS*R2450Z*****	2,520	2,805	3,115	4,250	5,510	6,350
AS*R2460Z*****	2,559	3,146	3,897	5,501	7,241	9,117

110°F AMBIENT						
Model Number	Suction Temperature (SST)					
	-30°F	-25°F	-20°F	-10°F	0°F	10°F
AS*R2430Z*****	734	1,065	1,419	2,192	3,054	4,005
AS*R2440Z*****	1,201	1,647	2,084	2,932	3,743	4,519
AS*R2450Z*****	2,250	2,690	3,040	4,010	4,800	5,590
AS*R2460Z*****	2,269	2,770	3,126	4,540	6,089	7,775

*Return gas 40°F evaporator, Sub Cooling 5°F

Capacity Tables (BTUH) (R-452A)

80°F AMBIENT						
Model Number	Suction Temperature (SST)					
	-30°F	-25°F	-20°F	-10°F	0°F	10°F
AS*R2430Z*****	1,678	2,140	2,601	3,523	4,443	5,362
AS*R2440Z*****	1,690	2,170	2,625	3,550	4,480	5,390
AS*R2450Z*****	2,900	3,335	3,800	4,900	6,190	7,675
AS*R2460Z*****	3,211	3,887	4,648	6,419	8,525	10,964

90°F AMBIENT						
Model Number	Suction Temperature (SST)					
	-30°F	-25°F	-20°F	-10°F	0°F	10°F
AS*R2430Z*****	1,337	1,766	2,094	2,950	3,905	4,759
AS*R2440Z*****	1,385	1,790	2,220	3,080	3,945	4,900
AS*R2450Z*****	2,530	2,915	3,265	4,276	5,575	6,975
AS*R2460Z*****	2,516	3,126	3,818	5,454	7,424	9,728

95°F AMBIENT						
Model Number	Suction Temperature (SST)					
	-30°F	-25°F	-20°F	-10°F	0°F	10°F
AS*R2430Z*****	1,166	1,578	1,891	2,714	3,637	4,458
AS*R2440Z*****	1,200	1,590	2,000	2,850	3,665	4,610
AS*R2450Z*****	2,360	2,730	3,150	4,050	5,275	6,650
AS*R2460Z*****	2,369	2,745	3,404	4,972	6,874	9,110

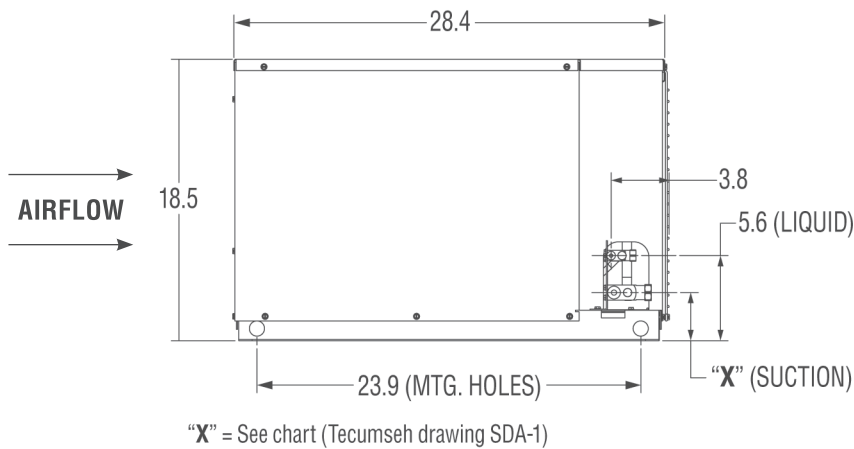
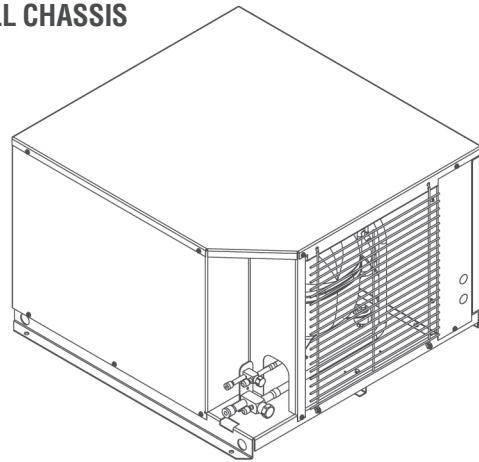
100°F AMBIENT						
Model Number	Suction Temperature (SST)					
	-30°F	-25°F	-20°F	-10°F	0°F	10°F
AS*R2430Z*****	995	1,391	1,787	2,578	3,368	4,156
AS*R2440Z*****	1,090	1,420	1,795	2,595	3,415	4,200
AS*R2450Z*****	2,180	2,535	2,930	3,850	4,980	6,290
AS*R2460Z*****	2,222	2,564	2,989	4,489	6,324	8,492

110°F AMBIENT						
Model Number	Suction Temperature (SST)					
	-30°F	-25°F	-20°F	-10°F	0°F	10°F
AS*R2430Z*****	653	1,017	1,380	2,106	2,831	3,554
AS*R2440Z*****	750	1,050	1,410	2,140	2,900	3,775
AS*R2450Z*****	1,830	2,125	2,490	3,350	4,360	5,600
AS*R2460Z*****	1,928	2,202	2,559	3,524	5,223	7,257

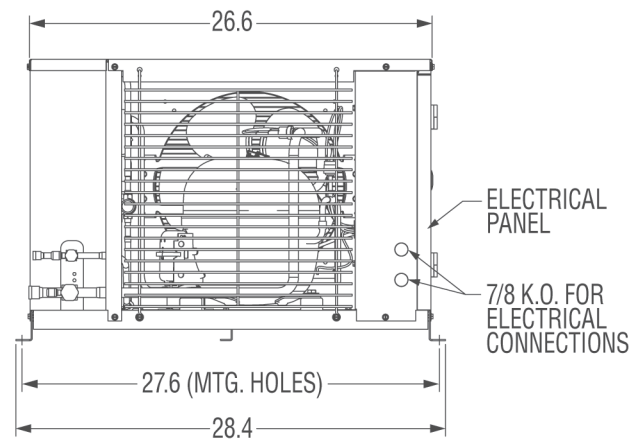
1/2 to 1-1/2 HP Low Temperature Platform (Microchannel)

Project Name:	
Customer Name:	
Model Number:	
Refrigerant:	
Job Location:	
Date:	
AWEF:	

SMALL CHASSIS



SIDE VIEW



FRONT VIEW

Physical Data

ARGUS Series	Model Number	Compressor		Connections (inch)		Receiver Capacity (lbs)		Net Weight (lbs)
		Model Number	HP	Liquid	Suction	R-404A	R-452A	
R-404A R-452A	AS*R2430Z*****	AK2430Z-NA3C	3/4	3/8" S	5/8" S	8.04	8.67	159
	AS*R2440Z*****	AK2436Z-NA3C	1.0	3/8" S	5/8" S	8.04	8.67	159
	AS*R2450Z*****	AK2448Z-NA3C	1-1/4	3/8" S	5/8" S	8.04	8.67	159
	AS*R2460Z*****	AWA2450ZXD	1-1/2	3/8" S	5/8" S	8.04	8.67	196

Electrical Data

Model Number	Power Supply	Compressor		Fan Motor (PSC)			Fan Motor (PSC)		
	Volts/Hz/Ph	RLA	LRA	Qty	HP	FLA	Qty	HP	FLA
AS*R2430Z*****	208-230/60/1	3.7	22.0	1	1/20	0.45	1	1/20	0.5
AS*R2440Z*****	208-230/60/1	4.2	29.7	1	1/20	0.45	1	1/20	0.5
AS*R2450Z*****	208-230/60/1	5.9	32.4	1	1/20	0.45	1	1/20	0.5
AS*R2460Z*****	208-230/60/1	9.4	56.0	1	1/20	0.45	1	1/20	0.5

DOE AWEF (AHRI 1250)

AWEF Table	Model Number	Indoor	Outdoor
R-404A	AS*R2430Z*****	2.25	3.21
	AS*R2440Z*****	2.30	3.18
	AS*R2450Z*****	2.58	3.17
	AS*R2460Z*****	2.42	3.22
R-452A	AS*R2430Z*****	2.09	3.11
	AS*R2440Z*****	2.03	3.10
	AS*R2450Z*****	2.35	3.12
	AS*R2460Z*****	2.25	2.96

1/2 to 1-1/2 HP Low Temperature Platform (Microchannel)

Capacity Tables (BTUH) (R-404A)

80°F AMBIENT						
Model Number	Suction Temperature (SST)					
	-30°F	-25°F	-20°F	-10°F	0°F	10°F
AS*R2430Z*****	1,910	2,330	2,750	3,720	4,770	5,490
AS*R2440Z*****	2,190	2,675	3,150	4,110	5,000	5,880
AS*R2450Z*****	3,328	3,946	4,551	5,724	6,849	7,926
AS*R2460Z*****	3,610	4,525	5,490	7,285	9,600	11,840

90°F AMBIENT						
Model Number	Suction Temperature (SST)					
	-30°F	-25°F	-20°F	-10°F	0°F	10°F
AS*R2430Z*****	1,520	1,910	2,325	3,120	4,200	5,250
AS*R2440Z*****	1,820	2,325	2,790	3,685	4,585	5,420
AS*R2450Z*****	2,972	3,538	4,091	5,161	6,182	7,154
AS*R2460Z*****	3,050	3,875	4,690	6,493	8,415	10,600

95°F AMBIENT						
Model Number	Suction Temperature (SST)					
	-30°F	-25°F	-20°F	-10°F	0°F	10°F
AS*R2430Z*****	1,315	1,690	2,085	2,860	3,900	4,940
AS*R2440Z*****	1,690	2,140	2,610	3,377	4,350	5,185
AS*R2450Z*****	2,795	3,334	3,861	4,879	5,848	6,769
AS*R2460Z*****	2,860	3,515	4,310	6,200	7,875	10,100

100°F AMBIENT						
Model Number	Suction Temperature (SST)					
	-30°F	-25°F	-20°F	-10°F	0°F	10°F
AS*R2430Z*****	1,120	1,470	1,850	2,700	3,610	4,610
AS*R2440Z*****	1,520	1,965	2,410	3,300	4,140	4,950
AS*R2450Z*****	2,617	3,130	3,631	4,597	5,515	6,383
AS*R2460Z*****	2,750	3,175	3,940	5,580	7,280	9,300

110°F AMBIENT						
Model Number	Suction Temperature (SST)					
	-30°F	-25°F	-20°F	-10°F	0°F	10°F
AS*R2430Z*****	7,20	1,050	1,400	2,155	3,010	3,975
AS*R2440Z*****	1,175	1,610	2,050	2,900	3,710	4,490
AS*R2450Z*****	2,261	2,723	3,172	4,034	4,847	5,612
AS*R2460Z*****	2,275	2,775	3,270	4,590	6,125	7,810

Capacity Tables (BTUH) (R-452A)

80°F AMBIENT						
Model Number	Suction Temperature (SST)					
	-30°F	-25°F	-20°F	-10°F	0°F	10°F
AS*R2430Z*****	1,650	2,100	2,550	3,500	4,415	5,325
AS*R2440Z*****	1,678	2,140	2,601	3,523	4,443	5,362
AS*R2450Z*****	2,883	3,309	3,783	4,876	6,162	7,641
AS*R2460Z*****	3,150	3,850	4,600	6,350	8,450	10,900

90°F AMBIENT						
Model Number	Suction Temperature (SST)					
	-30°F	-25°F	-20°F	-10°F	0°F	10°F
AS*R2430Z*****	1,300	1,725	2,050	2,900	3,850	4,700
AS*R2440Z*****	1,337	1,766	2,194	3,050	3,905	4,759
AS*R2450Z*****	2,523	2,908	3,341	4,352	5,556	6,953
AS*R2460Z*****	2,570	3,075	3,750	5,420	7,350	9,650

95°F AMBIENT						
Model Number	Suction Temperature (SST)					
	-30°F	-25°F	-20°F	-10°F	0°F	10°F
AS*R2430Z*****	1,125	1,525	1,850	2,675	3,600	4,425
AS*R2440Z*****	1,166	1,578	1,991	2,814	3,637	4,458
AS*R2450Z*****	2,344	2,708	3,121	4,090	5,253	6,609
AS*R2460Z*****	2,325	2,700	3,350	4,925	6,800	9,050

100°F AMBIENT						
Model Number	Suction Temperature (SST)					
	-30°F	-25°F	-20°F	-10°F	0°F	10°F
AS*R2430Z*****	950	350	1,740	2,520	3,310	4,100
AS*R2440Z*****	995	1,391	1,787	2,578	3,368	4,156
AS*R2450Z*****	2,164	2,508	2,900	3,828	4,950	6,264
AS*R2460Z*****	2,200	2,550	2,950	4,450	6,275	8,450

110°F AMBIENT						
Model Number	Suction Temperature (SST)					
	-30°F	-25°F	-20°F	-10°F	0°F	10°F
AS*R2430Z*****	610	965	1,350	2,050	2,800	3,500
AS*R2440Z*****	653	1,017	1,380	2,106	2,831	3,554
AS*R2450Z*****	1,804	2,107	2,458	3,304	4,344	5,576
AS*R2460Z*****	1,875	2,150	2,525	3,475	5,170	7,225

*Return gas 40°F evaporator, Sub Cooling 5°F